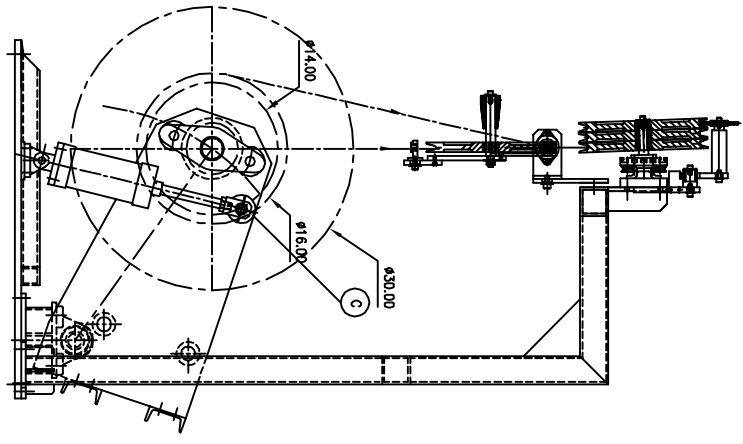
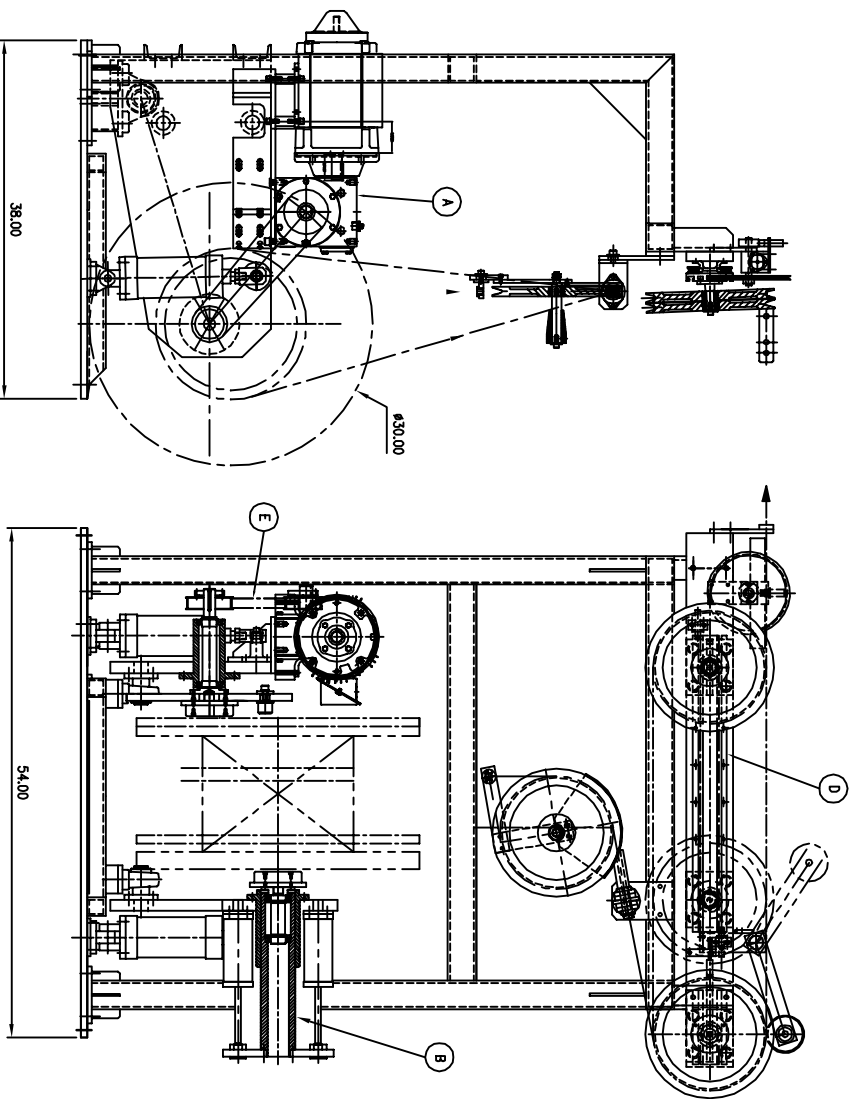
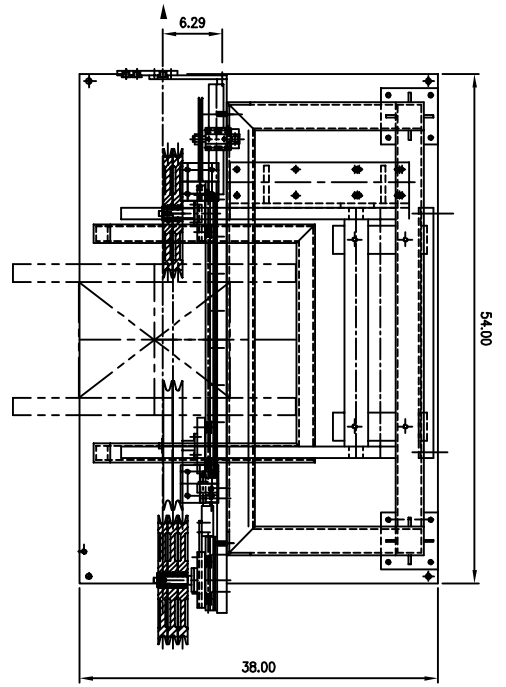


ITEM	QTY	DWG NO	DESCRIPTION
1	1	590-DLS-SA	LIFTING SYSTEM ASS'Y
2	1	590-PDA-SA	PAY-OFF ACCUMULATOR ASS'Y
3	1	590-LTP-03	FRAME

TENSION RANGE	
2 LOOPS 5 PULLEYS	2160 GRAMS @ 100 psi
1 LOOPS 3 PULLEYS	3600 GRAMS @ 100 psi
2 LOOPS 5 PULLEYS	216 GRAMS @ 10 psi
1 LOOPS 3 PULLEYS	360 GRAMS @ 10 psi

6 PAY-OFFS	REEL # 1	REEL # 2
REEL DIA	ø30.00	ø30.00
BARREL DIA	ø16.00	ø14.00
OUTSIDE WIDTH	16.00	13.25
FINITE DIA	ø5.00	ø5.00
MAX REEL WEIGHT	250 kg	250 kg



3 RECD AS SHOWN
3 RECD OPP. HAND

TITLE: COPPER WIRE PAY-OFF
 PROJECT NO: FR 590
 DATE: JUNE 12 2006
 SCALE: 1:8
 DRAWN BY: AB
 CHECKED BY: E
 TENSOR LTD
 FINISH OPTIC TECHNOLOGY
 590-CW-PO-GC
 DRAWN BY: E
 DATE: JUN 12 2006