

SINGLE TWIST STRANDING LINE

*CBR 1292*

**Drawings**

**Section**

**3**

**SINGLE TWIST STRANDING LINE**

## **Mechanical Drawings**

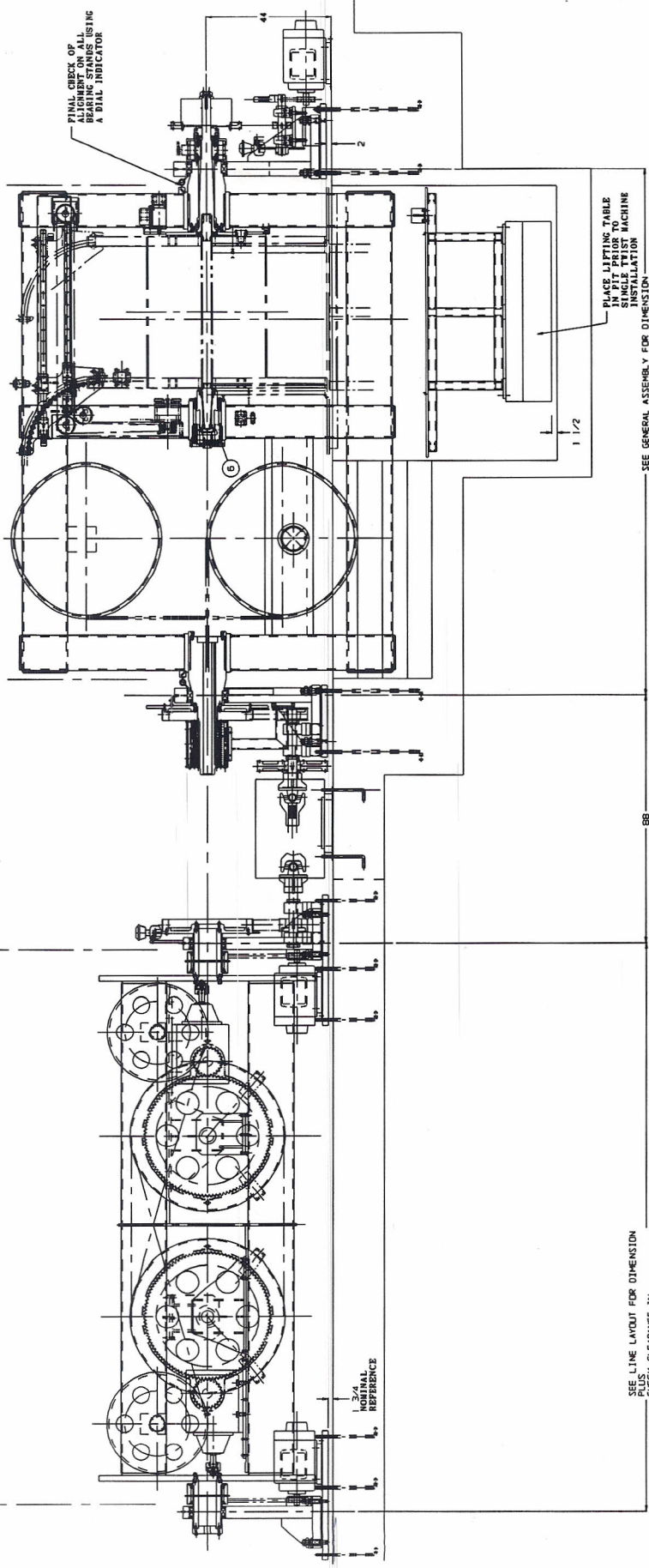
*Note: See CD for Mechanical Drawings*



CRADLE TO BE SET INTO BEARING STANDS WITH DEVICES AFTER LEVELING AND ALIGNMENT OF BEARING STANDS



CASTAN ROTATING FRAME TO BE SET INTO BEARING STANDS WITH DEVICES AFTER LEVELING AND ALIGNMENT OF BEARING STANDS



FINAL CHECK OF BEARING STANDS USING A DIAL INDICATOR

PLACE LIFTING TABLE IN PIT PRIOR TO SINGLE TRUST MACHINING

1 1/2

SEE GENERAL ASSEMBLY FOR DIMENSION  
REFERENCE CHECK FOR SPACE IN FLOATING BRG BEARING

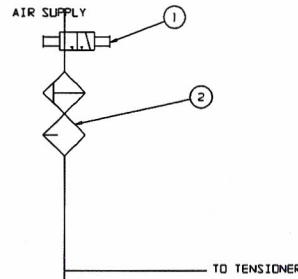
SEE LINE LAYOUT FOR DIMENSION PLUS CHECK CLEARANCE IN FLOATING BEARING

88

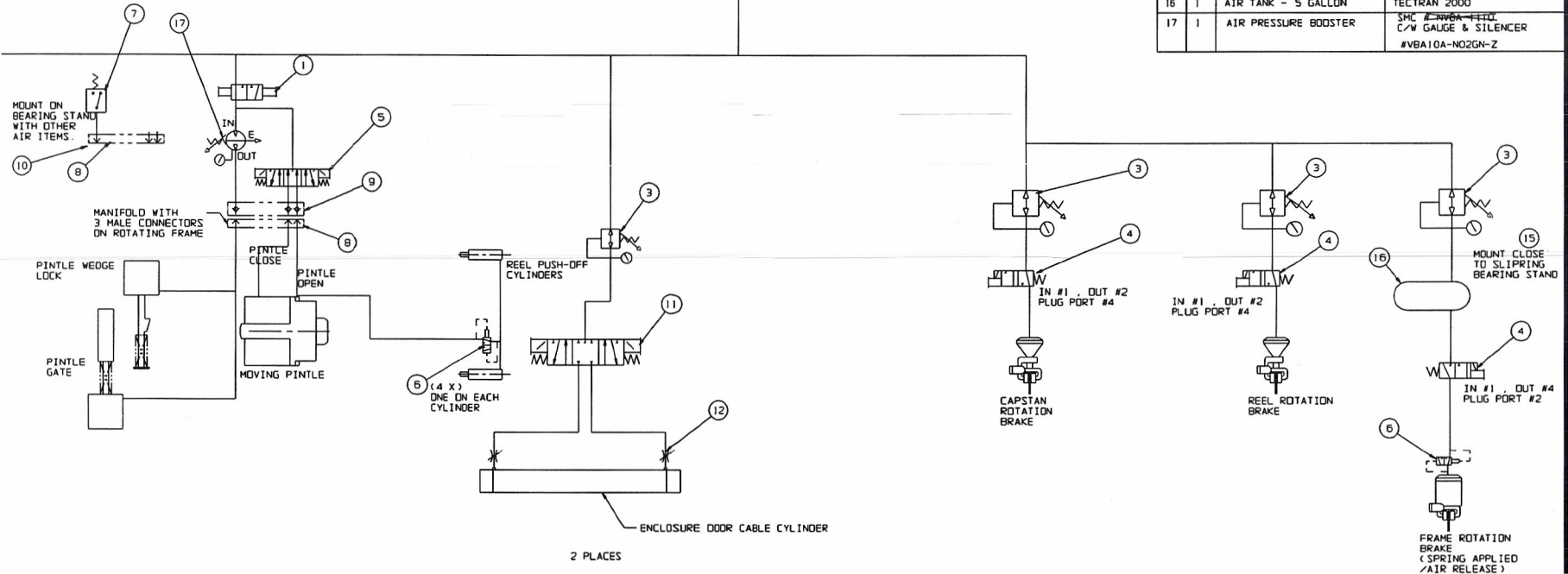
04119	
3440	
0398	
3440	
110	JOB NO. 011

**ROTER**  
 SINGLE TRUST INSTALLATION DRAWING  
 DATE: 02/15 1:18  
 SCALE: P. JIM  
 DRAWN: P. JIM  
 CHECKED: P. JIM  
 APPROVED: P. JIM  
 PROJECT NO.: 345-065-010-D  
 REV: 1

1	02/15	MADE	GENERAL	PW
2				



ITEM	QTY	DESCRIPTION	DRAWING NO. / MFG. REF.
1	1	SLEEVE VALVE	ARD #600-2
2	1	FILTER / LUBRICATOR	ARD # C28221-700
3	4	REGULATOR/GAUGE/BRKT	ARD #R27221-700+100066+104172
4	3	SOLENOID VALVE - 24VDC	ARD #A212 SS -024D-CSN
5	1	SOLENOID VALVE - 24VDC	ARD #A712 SD -024D-CSN
6	5	QUICK EXHAUST VALVE	ARD # EV-250
7	1	PRESSURE SWITCH	ALLEN BRADLEY # 836-C7A
8	2	FIXED BASE/MALE PART	STAUBLI # 34.0120
9	1	MOBILE HOUSING/FEMALE PART	STAUBLI # 34.0121
10	1	MOUNTING BRACKET	345-028-015-B
11	2	SOLENOID VALVE- DOUBLE	ARD #A313 SD- 024D-CSN
12	4	FLOW CTRL 3/8 NPT	ARD #104104-F03
13			
14			
15	1	AIR TANK STAND	345-070-008-D
16	1	AIR TANK - 5 GALLON	TECTRAN 2000
17	1	AIR PRESSURE BOOSTER	SMC #RVBA-1100 C/W GAUGE & SILENCER #VBA10A-NO2GN-Z



5	6/16	ITEM 15 ADDED	PW
4	5/16	ONE OF ITEM 17 REVISED	PW
3	7/15	ITEM 6 ADDED ON EACH PUSH-OFF CYL	PW
2	2/15	ITEM 6 ADDED AT MAIN BRAKE	PW
1	1/15	ITEM 16 POSITION CORRECTED	PW
REV	DATE	REVISIONS	BY

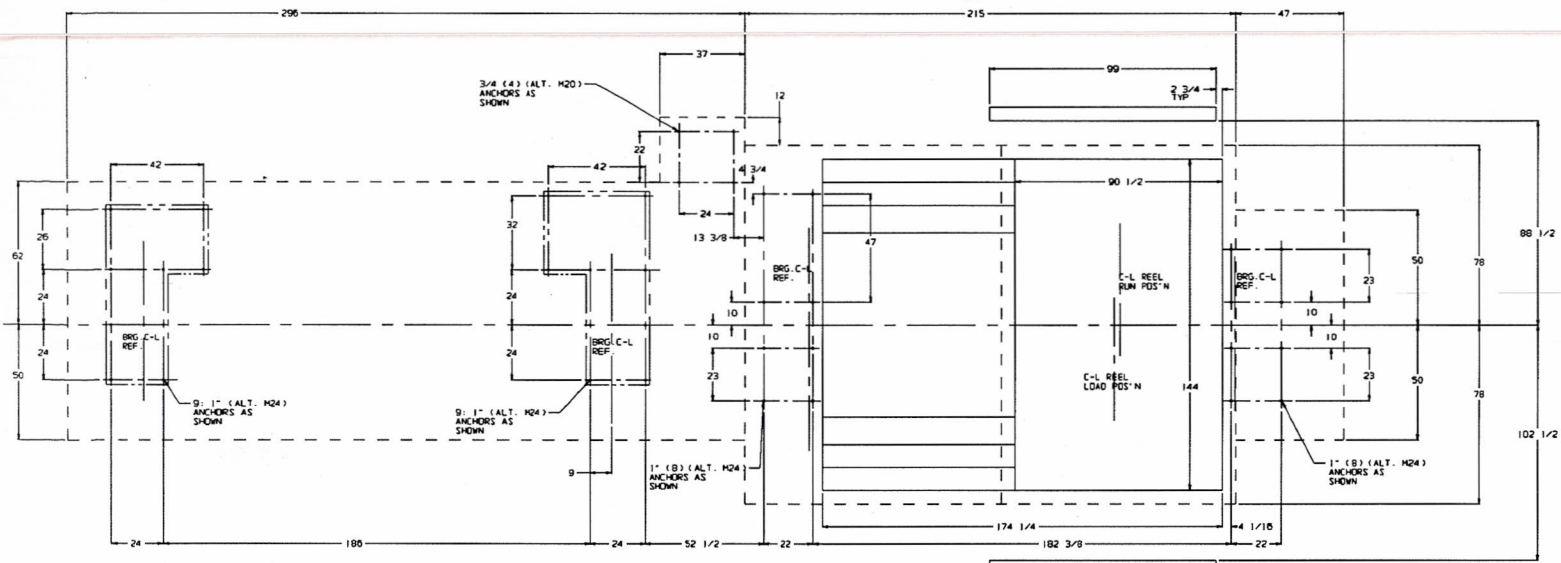
THIS DOCUMENT IS THE PROPERTY OF ROTEQ MACHINERY INC. AND IS LOANED TO YOU BY ROTEQ MACHINERY INC. IT IS TO BE RETURNED TO ROTEQ MACHINERY INC. WITHIN 10 BUSINESS DAYS OF RECEIPT. ALL RIGHTS RESERVED.

**ROTEQ** Roteq Machinery Inc.  
317 Brantford Drive, Concord, Ontario, Canada, L4K 1K5  
Tel: 905-460-8800, Fax: 905-460-8801

DATE: 09/14  
SCALE: 1:1.5  
Dwg. NO.: 345-070-007-D

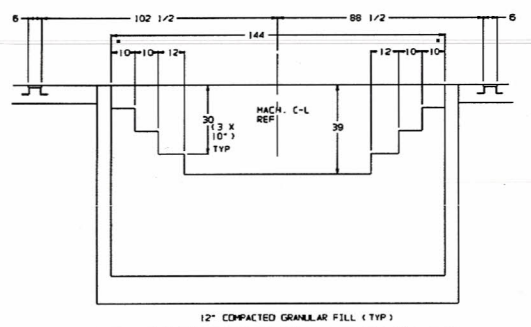
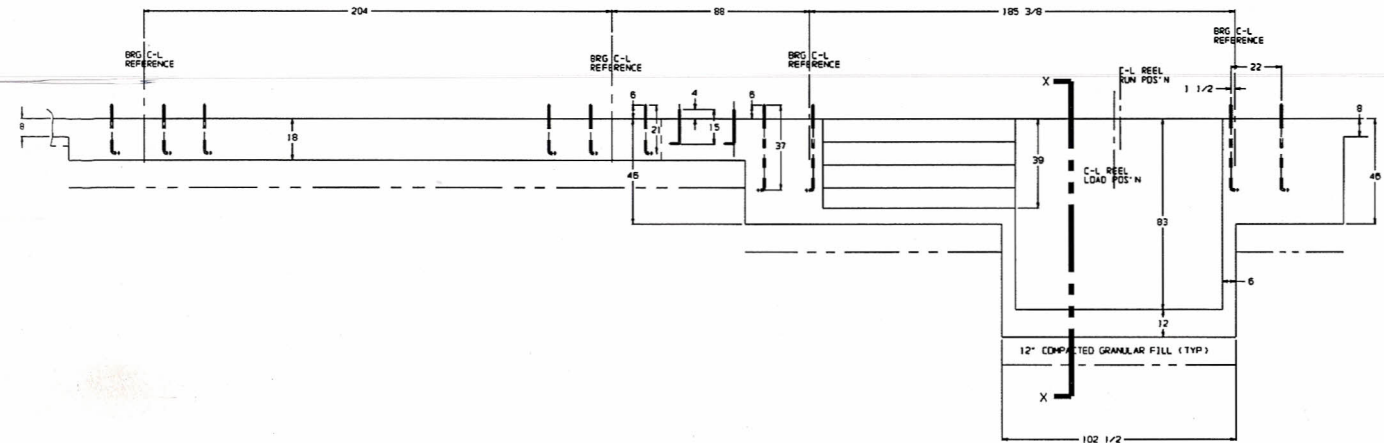
345-278-000-E	9	0424	1
345-266-000-E	9	0419	1
345-221-000-E	9	0398	2
ASSY Dwg. NO.	ITER	JOB NO.	QTY.





1 X 6 X 99 STEEL PLATE CAST IN THE CONCRETE TO BE FLUSH WITH FLOOR LEVEL. TWO PLACES. ANGLE IRONS SHOWN UNDER PLATE NOT MANDATORY (IT IS ONE SUGGESTED METHOD TO HOLD PLATE IN THE CONCRETE). SEE SECTION X-X.

WIRE DIRECTION  
L - R



SECTION X-X

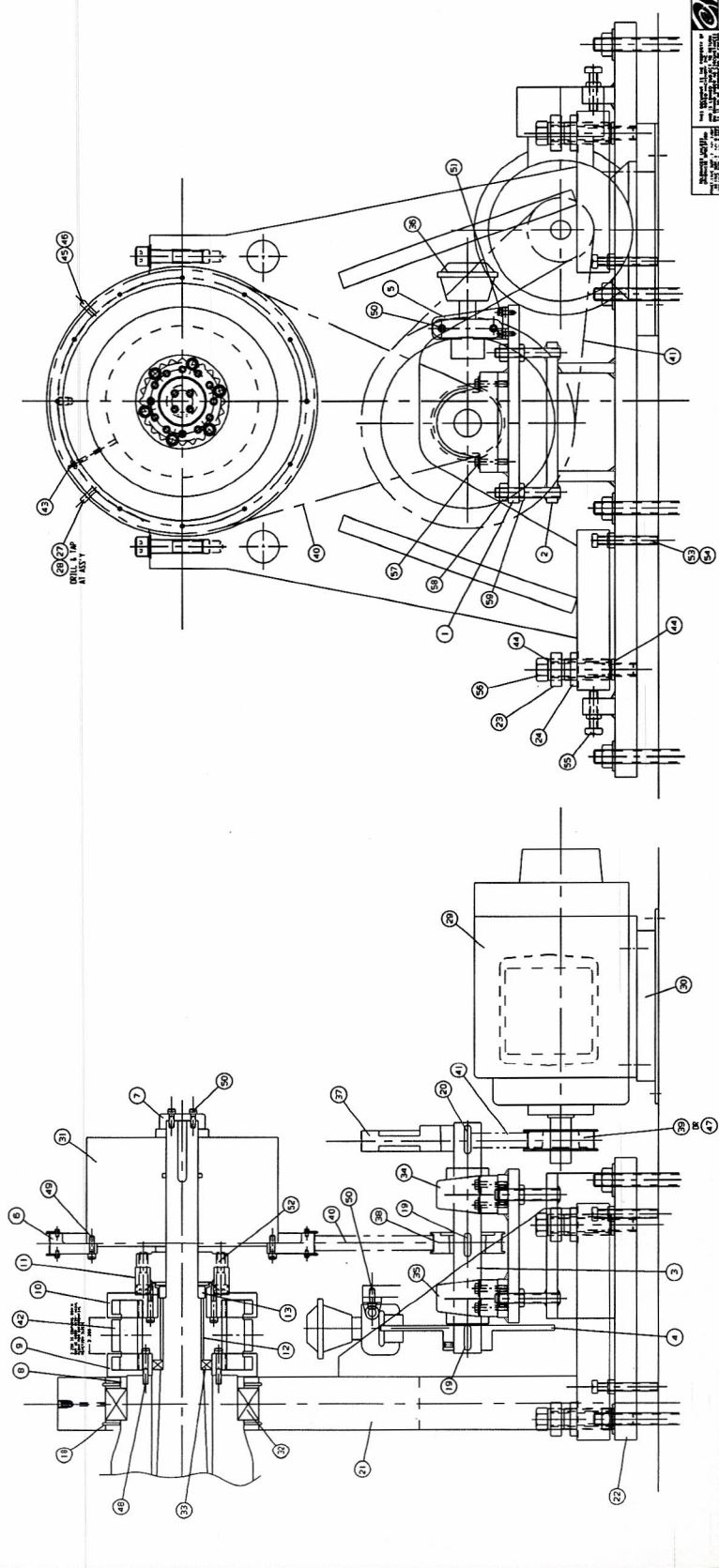
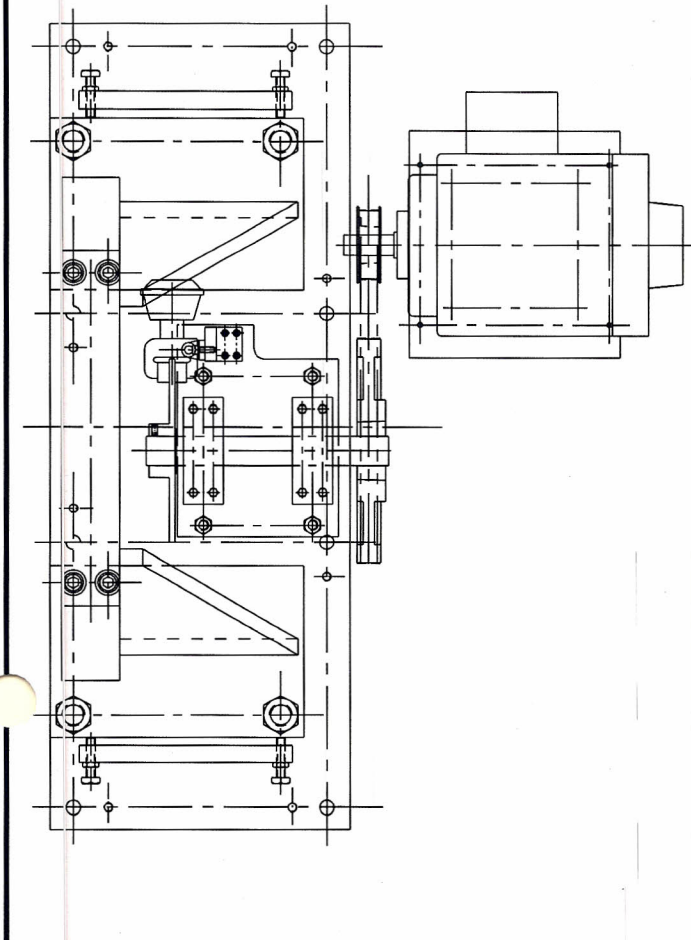
- NOTES:
- THIS FOUNDATION LAYOUT APPLIES TO GOOD SOIL CONDITION WITH A MINIMUM OF 3000 LB./SQ.FT. SOIL RESISTANCE WITHOUT SETTLEMENT. FOUNDATION SHOULD BE BUILT ON COMPACTED GRANULAR FILL.
  - FOUNDATION CONSTRUCTION TO BE CONTINUOUS BEAM TYPE STEEL REINFORCED  $\phi$  3/4 DIA. ROD @ 12" CENTRES IN BOTH DIRECTIONS. CONCRETE TO HAVE A MINIMUM STRENGTH OF 3000 PSI AFTER 28 DAYS CURING.
  - COMPLETE FOUNDATION: CONCRETE, REINFORCING RODS, PIT EDGING AND COVERS, PIT DRAINAGE, GROUTING, AND ALL INGRADING AIR, HYDRAULIC AND ELECTRICAL PIPING, AND FOUNDATION BOLTS TO BE SUPPLIED BY CUSTOMER.
  - ALL ANCHOR BOLTS SHOWN (AS CAST INTO CONCRETE) MUST BE LOCATED WITHIN 1/2" OF TRUE POSITION. ALL ANCHORS TO BE MIN. H. GRADE B.
  - ONLY ANCHORS THAT ARE TO BE CAST INTO THE FOUNDATION ARE SHOWN. ANCHORS FOR AUXILIARY EQUIPMENT AND OTHER ITEMS ARE TO BE DRILLED INTO THE FLOOR AT INSTALLATION WITH GOOD QUALITY ANCHORING SYSTEMS.
  - SAFETY GUARDING AND RAILINGS AROUND PITS ARE THE RESPONSIBILITY OF THE CUSTOMER.

DIMENSIONS IN INCHES

345-260-000-E	11	0419	1
407 MG. B.	REV	0419	BY

ROTEK  
 FOUNDATION DRAWING  
 DATE: 05/18  
 SCALE: 1:20  
 PROJECT: 345-090-014-E

ITEM	QTY	DESCRIPTION	QTY	REF.
1	1	PNEUMATIC CALIPER	37	1121
2	1	1.121 TYPING PROCKET WITH BUSHING	37	1121
3	1	2.500 BORE & STD. SET W/AT	37	1121
4	1	2.500 BORE & STD. SET W/AT	37	1121
5	1	2.500 BORE & STD. SET W/AT	37	1121
6	1	2.500 BORE & STD. SET W/AT	37	1121
7	1	2.500 BORE & STD. SET W/AT	37	1121
8	1	2.500 BORE & STD. SET W/AT	37	1121
9	1	2.500 BORE & STD. SET W/AT	37	1121
10	1	2.500 BORE & STD. SET W/AT	37	1121
11	1	2.500 BORE & STD. SET W/AT	37	1121
12	1	2.500 BORE & STD. SET W/AT	37	1121
13	1	2.500 BORE & STD. SET W/AT	37	1121
14	1	2.500 BORE & STD. SET W/AT	37	1121
15	1	2.500 BORE & STD. SET W/AT	37	1121
16	1	2.500 BORE & STD. SET W/AT	37	1121
17	1	2.500 BORE & STD. SET W/AT	37	1121
18	1	2.500 BORE & STD. SET W/AT	37	1121
19	1	2.500 BORE & STD. SET W/AT	37	1121
20	1	2.500 BORE & STD. SET W/AT	37	1121
21	1	2.500 BORE & STD. SET W/AT	37	1121
22	1	2.500 BORE & STD. SET W/AT	37	1121
23	1	2.500 BORE & STD. SET W/AT	37	1121
24	1	2.500 BORE & STD. SET W/AT	37	1121
25	1	2.500 BORE & STD. SET W/AT	37	1121
26	1	2.500 BORE & STD. SET W/AT	37	1121
27	1	2.500 BORE & STD. SET W/AT	37	1121
28	1	2.500 BORE & STD. SET W/AT	37	1121
29	1	2.500 BORE & STD. SET W/AT	37	1121
30	1	2.500 BORE & STD. SET W/AT	37	1121
31	1	2.500 BORE & STD. SET W/AT	37	1121
32	1	2.500 BORE & STD. SET W/AT	37	1121
33	1	2.500 BORE & STD. SET W/AT	37	1121
34	1	2.500 BORE & STD. SET W/AT	37	1121
35	1	2.500 BORE & STD. SET W/AT	37	1121

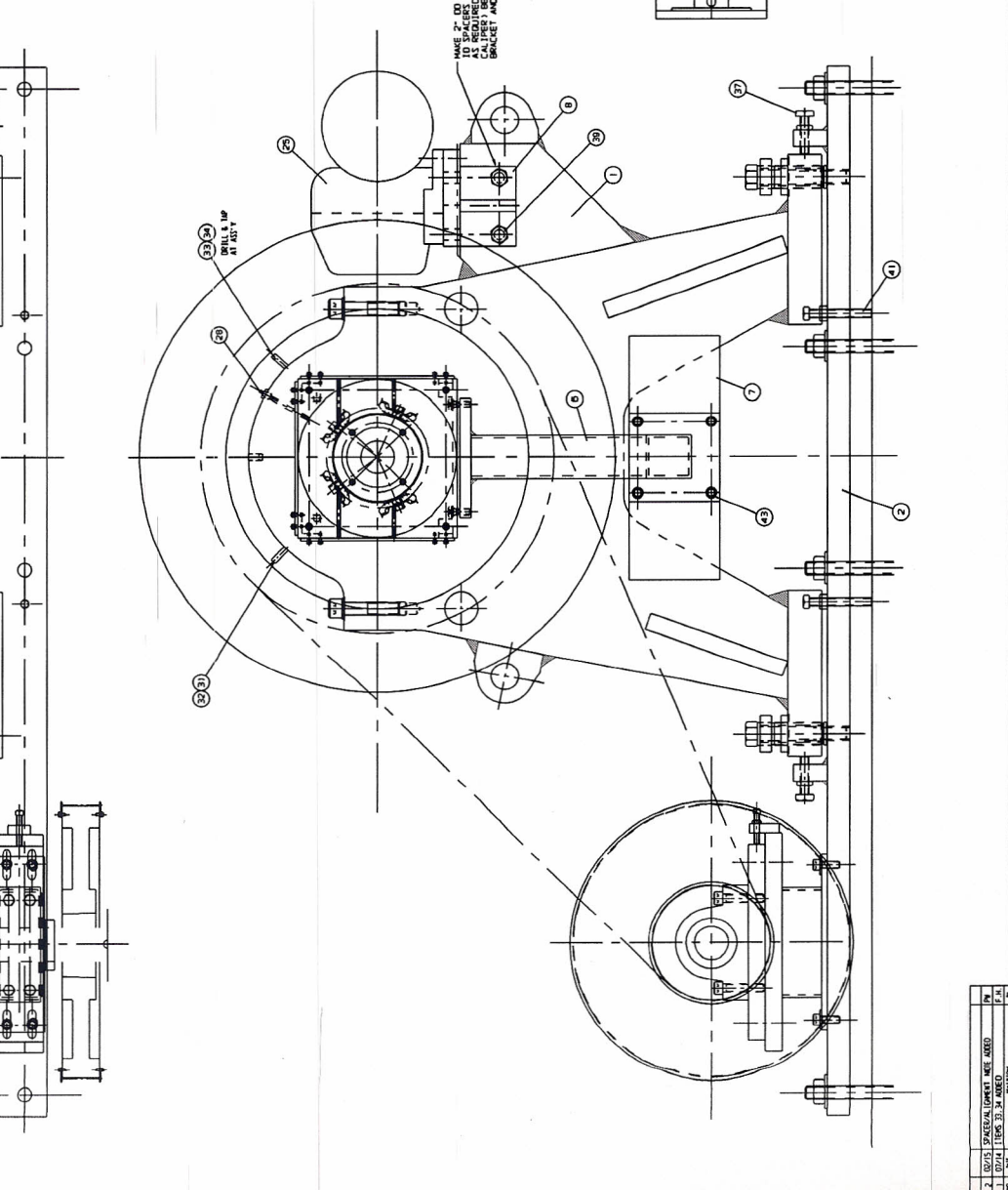
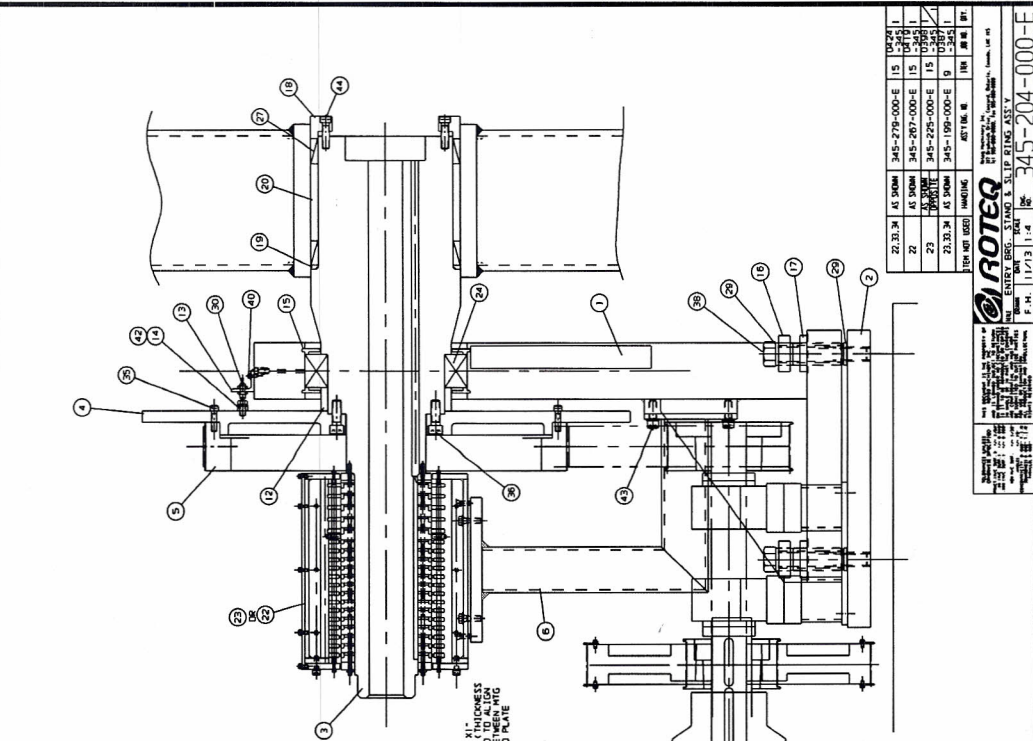


ITEM NO.	DESCRIPTION	QTY	REF.
27, 28, 30	AS SHOWN	345-279-000-E	14
31	AS SHOWN	345-287-000-E	14
32	AS SHOWN	345-225-000-E	14
33	AS SHOWN	345-195-000-E	6
34	AS SHOWN	345-200-000-E	1

**ROTEC**  
 ROYAL CANADIAN MOUNTED POLICE  
 1100 BAYVIEW AVE. TORONTO, ONT. M2H 1P4  
 TEL: (416) 491-1111 FAX: (416) 491-1112

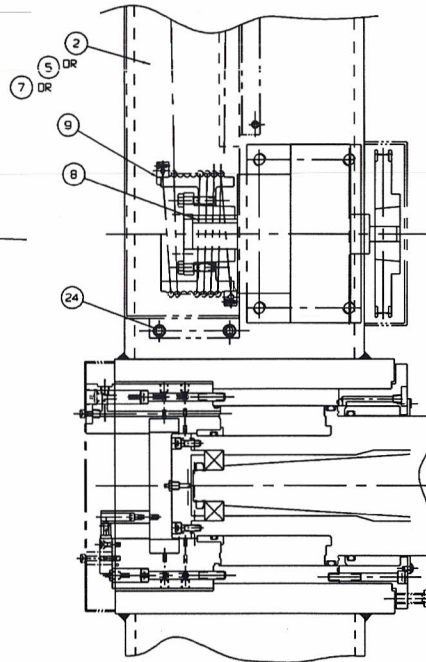
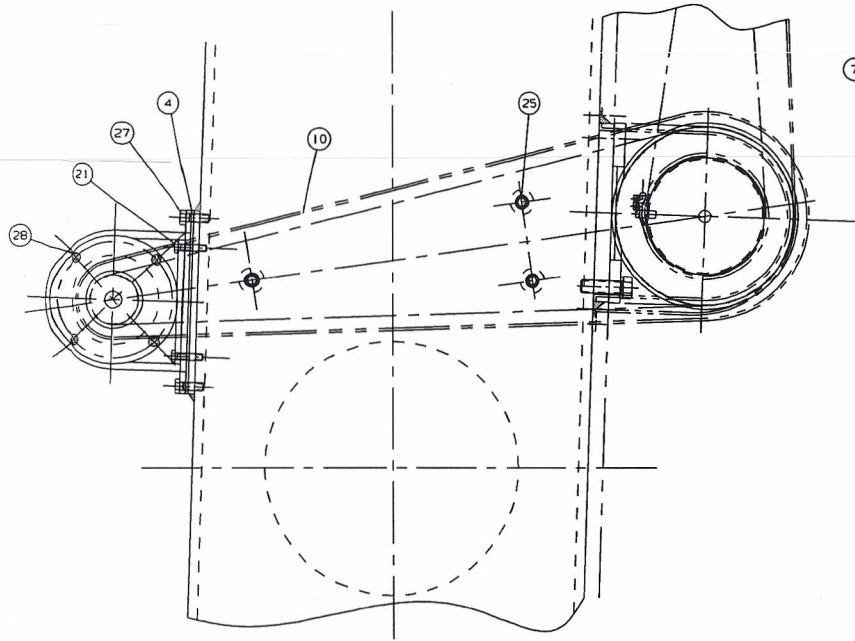
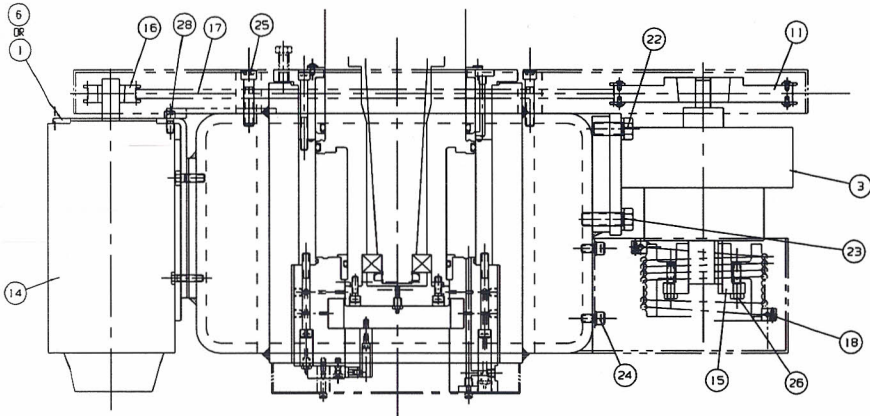
345-200-000-E

ITEM QTY	DESCRIPTION	QTY	DESCRIPTION	ITEM QTY	DESCRIPTION	QTY	DESCRIPTION	ITEM QTY	DESCRIPTION	ITEM QTY	DESCRIPTION
26	LOCKING ELEMENT RING 300 mm BORE	1	BRG. WELDING STAND	1	BRG. STAND BASE PLATE	1	DRIVE SHAFT	1	BRG. STAND BASE PLATE	1	BRG. STAND BASE PLATE
27	1/8 WPT GREASE FITTING	1	ALPHITE # 1000-R	1	BRG. DISC	1	180T TIMING PULLEY	1	BRG. DISC	1	BRG. DISC
28	HARD WASHER	1	ALPHITE # 1010	1	180T TIMING PULLEY	1	SLIPRING MFG. BRACKET	1	BRG. DISC	1	BRG. DISC
29	PROX. SENSOR 12 mm Ø	1	BRG. # 1000-R	1	SLIPRING MFG. BRACKET	1	MFG. PLATE	1	BRG. DISC	1	BRG. DISC
30	VIBRATION SENSOR	1	BRG. # 1000-R (2-1)	1	MFG. PLATE	1	CALIPER MFG. BRACKET	1	BRG. DISC	1	BRG. DISC
31	CABLE	1	BRG. # 1000-R (2-1)	1	CALIPER MFG. BRACKET	1	SPACER	1	BRG. DISC	1	BRG. DISC
32	TERMINAL	1	BRG. # 1000-R (2-1)	1	SPACER	1	SPACER	1	BRG. DISC	1	BRG. DISC
33	TERMINAL	1	BRG. # 1000-R (2-1)	1	SPACER	1	SPACER	1	BRG. DISC	1	BRG. DISC
34	TERMINAL	1	BRG. # 1000-R (2-1)	1	SPACER	1	SPACER	1	BRG. DISC	1	BRG. DISC
35	TERMINAL	1	BRG. # 1000-R (2-1)	1	SPACER	1	SPACER	1	BRG. DISC	1	BRG. DISC
36	TERMINAL	1	BRG. # 1000-R (2-1)	1	SPACER	1	SPACER	1	BRG. DISC	1	BRG. DISC
37	TERMINAL	1	BRG. # 1000-R (2-1)	1	SPACER	1	SPACER	1	BRG. DISC	1	BRG. DISC
38	TERMINAL	1	BRG. # 1000-R (2-1)	1	SPACER	1	SPACER	1	BRG. DISC	1	BRG. DISC
39	TERMINAL	1	BRG. # 1000-R (2-1)	1	SPACER	1	SPACER	1	BRG. DISC	1	BRG. DISC
40	TERMINAL	1	BRG. # 1000-R (2-1)	1	SPACER	1	SPACER	1	BRG. DISC	1	BRG. DISC
41	TERMINAL	1	BRG. # 1000-R (2-1)	1	SPACER	1	SPACER	1	BRG. DISC	1	BRG. DISC
42	TERMINAL	1	BRG. # 1000-R (2-1)	1	SPACER	1	SPACER	1	BRG. DISC	1	BRG. DISC
43	TERMINAL	1	BRG. # 1000-R (2-1)	1	SPACER	1	SPACER	1	BRG. DISC	1	BRG. DISC
44	TERMINAL	1	BRG. # 1000-R (2-1)	1	SPACER	1	SPACER	1	BRG. DISC	1	BRG. DISC
45	TERMINAL	1	BRG. # 1000-R (2-1)	1	SPACER	1	SPACER	1	BRG. DISC	1	BRG. DISC
46	TERMINAL	1	BRG. # 1000-R (2-1)	1	SPACER	1	SPACER	1	BRG. DISC	1	BRG. DISC
47	TERMINAL	1	BRG. # 1000-R (2-1)	1	SPACER	1	SPACER	1	BRG. DISC	1	BRG. DISC
48	TERMINAL	1	BRG. # 1000-R (2-1)	1	SPACER	1	SPACER	1	BRG. DISC	1	BRG. DISC
49	TERMINAL	1	BRG. # 1000-R (2-1)	1	SPACER	1	SPACER	1	BRG. DISC	1	BRG. DISC
50	TERMINAL	1	BRG. # 1000-R (2-1)	1	SPACER	1	SPACER	1	BRG. DISC	1	BRG. DISC
51	TERMINAL	1	BRG. # 1000-R (2-1)	1	SPACER	1	SPACER	1	BRG. DISC	1	BRG. DISC
52	TERMINAL	1	BRG. # 1000-R (2-1)	1	SPACER	1	SPACER	1	BRG. DISC	1	BRG. DISC
53	TERMINAL	1	BRG. # 1000-R (2-1)	1	SPACER	1	SPACER	1	BRG. DISC	1	BRG. DISC
54	TERMINAL	1	BRG. # 1000-R (2-1)	1	SPACER	1	SPACER	1	BRG. DISC	1	BRG. DISC
55	TERMINAL	1	BRG. # 1000-R (2-1)	1	SPACER	1	SPACER	1	BRG. DISC	1	BRG. DISC
56	TERMINAL	1	BRG. # 1000-R (2-1)	1	SPACER	1	SPACER	1	BRG. DISC	1	BRG. DISC
57	TERMINAL	1	BRG. # 1000-R (2-1)	1	SPACER	1	SPACER	1	BRG. DISC	1	BRG. DISC
58	TERMINAL	1	BRG. # 1000-R (2-1)	1	SPACER	1	SPACER	1	BRG. DISC	1	BRG. DISC
59	TERMINAL	1	BRG. # 1000-R (2-1)	1	SPACER	1	SPACER	1	BRG. DISC	1	BRG. DISC
60	TERMINAL	1	BRG. # 1000-R (2-1)	1	SPACER	1	SPACER	1	BRG. DISC	1	BRG. DISC
61	TERMINAL	1	BRG. # 1000-R (2-1)	1	SPACER	1	SPACER	1	BRG. DISC	1	BRG. DISC
62	TERMINAL	1	BRG. # 1000-R (2-1)	1	SPACER	1	SPACER	1	BRG. DISC	1	BRG. DISC
63	TERMINAL	1	BRG. # 1000-R (2-1)	1	SPACER	1	SPACER	1	BRG. DISC	1	BRG. DISC
64	TERMINAL	1	BRG. # 1000-R (2-1)	1	SPACER	1	SPACER	1	BRG. DISC	1	BRG. DISC
65	TERMINAL	1	BRG. # 1000-R (2-1)	1	SPACER	1	SPACER	1	BRG. DISC	1	BRG. DISC
66	TERMINAL	1	BRG. # 1000-R (2-1)	1	SPACER	1	SPACER	1	BRG. DISC	1	BRG. DISC
67	TERMINAL	1	BRG. # 1000-R (2-1)	1	SPACER	1	SPACER	1	BRG. DISC	1	BRG. DISC
68	TERMINAL	1	BRG. # 1000-R (2-1)	1	SPACER	1	SPACER	1	BRG. DISC	1	BRG. DISC
69	TERMINAL	1	BRG. # 1000-R (2-1)	1	SPACER	1	SPACER	1	BRG. DISC	1	BRG. DISC
70	TERMINAL	1	BRG. # 1000-R (2-1)	1	SPACER	1	SPACER	1	BRG. DISC	1	BRG. DISC
71	TERMINAL	1	BRG. # 1000-R (2-1)	1	SPACER	1	SPACER	1	BRG. DISC	1	BRG. DISC
72	TERMINAL	1	BRG. # 1000-R (2-1)	1	SPACER	1	SPACER	1	BRG. DISC	1	BRG. DISC
73	TERMINAL	1	BRG. # 1000-R (2-1)	1	SPACER	1	SPACER	1	BRG. DISC	1	BRG. DISC
74	TERMINAL	1	BRG. # 1000-R (2-1)	1	SPACER	1	SPACER	1	BRG. DISC	1	BRG. DISC
75	TERMINAL	1	BRG. # 1000-R (2-1)	1	SPACER	1	SPACER	1	BRG. DISC	1	BRG. DISC



ITEM QTY	DESCRIPTION	ITEM QTY	DESCRIPTION
22.33.34	AS 3000	345-270-000-E	15
22	AS 3000	345-280-000-E	15
23	AS 3000	345-285-000-E	15
23.33.34	AS 3000	345-150-000-E	15
		345-155-000-E	15
		345-160-000-E	15
		345-165-000-E	15
		345-170-000-E	15
		345-175-000-E	15
		345-180-000-E	15
		345-185-000-E	15
		345-190-000-E	15
		345-195-000-E	15
		345-200-000-E	15
		345-205-000-E	15
		345-210-000-E	15
		345-215-000-E	15
		345-220-000-E	15
		345-225-000-E	15
		345-230-000-E	15
		345-235-000-E	15
		345-240-000-E	15
		345-245-000-E	15
		345-250-000-E	15
		345-255-000-E	15
		345-260-000-E	15
		345-265-000-E	15
		345-270-000-E	15
		345-275-000-E	15
		345-280-000-E	15
		345-285-000-E	15
		345-290-000-E	15
		345-295-000-E	15
		345-300-000-E	15
		345-305-000-E	15
		345-310-000-E	15
		345-315-000-E	15
		345-320-000-E	15
		345-325-000-E	15
		345-330-000-E	15
		345-335-000-E	15
		345-340-000-E	15
		345-345-000-E	15
		345-350-000-E	15
		345-355-000-E	15
		345-360-000-E	15
		345-365-000-E	15
		345-370-000-E	15
		345-375-000-E	15
		345-380-000-E	15
		345-385-000-E	15
		345-390-000-E	15
		345-395-000-E	15
		345-400-000-E	15
		345-405-000-E	15
		345-410-000-E	15
		345-415-000-E	15
		345-420-000-E	15
		345-425-000-E	15
		345-430-000-E	15
		345-435-000-E	15
		345-440-000-E	15
		345-445-000-E	15
		345-450-000-E	15
		345-455-000-E	15
		345-460-000-E	15
		345-465-000-E	15
		345-470-000-E	15
		345-475-000-E	15
		345-480-000-E	15
		345-485-000-E	15
		345-490-000-E	15
		345-495-000-E	15
		345-500-000-E	15
		345-505-000-E	15
		345-510-000-E	15
		345-515-000-E	15
		345-520-000-E	15
		345-525-000-E	15
		345-530-000-E	15
		345-535-000-E	15
		345-540-000-E	15
		345-545-000-E	15
		345-550-000-E	15
		345-555-000-E	15
		345-560-000-E	15
		345-565-000-E	15
		345-570-000-E	15
		345-575-000-E	15
		345-580-000-E	15
		345-585-000-E	15
		345-590-000-E	15
		345-595-000-E	15
		345-600-000-E	15
		345-605-000-E	15
		345-610-000-E	15
		345-615-000-E	15
		345-620-000-E	15
		345-625-000-E	15
		345-630-000-E	15
		345-635-000-E	15
		345-640-000-E	15
		345-645-000-E	15
		345-650-000-E	15
		345-655-000-E	15
		345-660-000-E	15
		345-665-000-E	15
		345-670-000-E	15
		345-675-000-E	15
		345-680-000-E	15
		345-685-000-E	15
		345-690-000-E	15
		345-695-000-E	15
		345-700-000-E	15
		345-705-000-E	15
		345-710-000-E	15
		345-715-000-E	15
		345-720-000-E	15
		345-725-000-E	15
		345-730-000-E	15
		345-735-000-E	15
		345-740-000-E	15
		345-745-000-E	15
		345-750-000-E	15
		345-755-000-E	15
		345-760-000-E	15
		345-765-000-E	15
		345-770-000-E	15
		345-775-000-E	15
		345-780-000-E	15
		345-785-000-E	15
		345-790-000-E	15
		345-795-000-E	15
		345-800-000-E	15
		345-805-000-E	





ITEM	QTY	DESCRIPTION	DWG NO. & MFG. REF.
1	1	MOTOR MTG. BRACKET	345-208-001-C
2	1	ROPE DRUM COVER - LONG	-002-C
3	1	SPEED REDUCER MOD. (P)	-003-B
4	1	SHIM	-004-B
5	1	ROPE DRUM COVER - SHORT	-005-C
6	1	MOTOR MTG. BRACKET	345-208-006-C
7	1	ROPE DRUM COVER	-007-C
8	1	KEY SET	345-027-016-B
9	1	ROPE DRUM	345-045-009-D
10	1	BELT COVER	345-171-002-C
11	1	90° TIMING BELT (P)	-004-B
12			
13			
14	1	2 HP MOTOR WITH ENCODER	MARATHON FRAME # 145 TC
15	1	TAPER BUSHING 1.500 BORE & KEY WAY	BROWNING # "D1"
16	1	25T PULLEY WITH BUSHING, 7/8 BORE	GATES # BMX-255-12
17	1	GEAR BELT 12 mm WIDE	GATES # BMGT-2000-12
18	2	WIRE ROPE CLIP	SPAE-NAUR # 121-171
19			
20			
21	4	M8 HEX. BOLT + L.W.	35 mm LG. + FL. W.
22	2	M16 HEX. BOLT	40 mm LG. + L.W.
23	2	M16 HEX. BOLT	55 mm LG. + L.W.
24	7	M10 S.H.C. SCR.	20 mm LG. + L.W.
25	3	M12 S.H.C. SCR.	60 mm LG.
26	3	M10 HEX. BOLT	40 mm LG.
27	4	M10 HEX. BOLT	35 mm LG. + L.W.
28	4	3/8-16 UNC S.H.C. SCR.	3/4 LG.
29			
30			

Call  
905-922-4530

NO.	DATE	REVISIONS	F. H.
3	07/16	ITEM 7 ADDED	F. H.
2	12/15	ITEM 6 ADDED	PW
1	09/15	ITEM 5 ADDED	F. H.

UNLESS SPECIFIED OTHERWISE, ALL DIMENSIONS ARE IN MILLIMETERS TO NEAREST 0.1 MM. DIMENSIONS IN PARENTHESES ARE IN INCHES TO NEAREST 0.005 INCH. DIMENSIONS IN PARENTHESES ARE TO BE USED FOR CONSTRUCTION OF PARTS TO BE USED IN THIS DRAWING. DIMENSIONS IN PARENTHESES ARE TO BE USED FOR CONSTRUCTION OF PARTS TO BE USED IN THIS DRAWING.

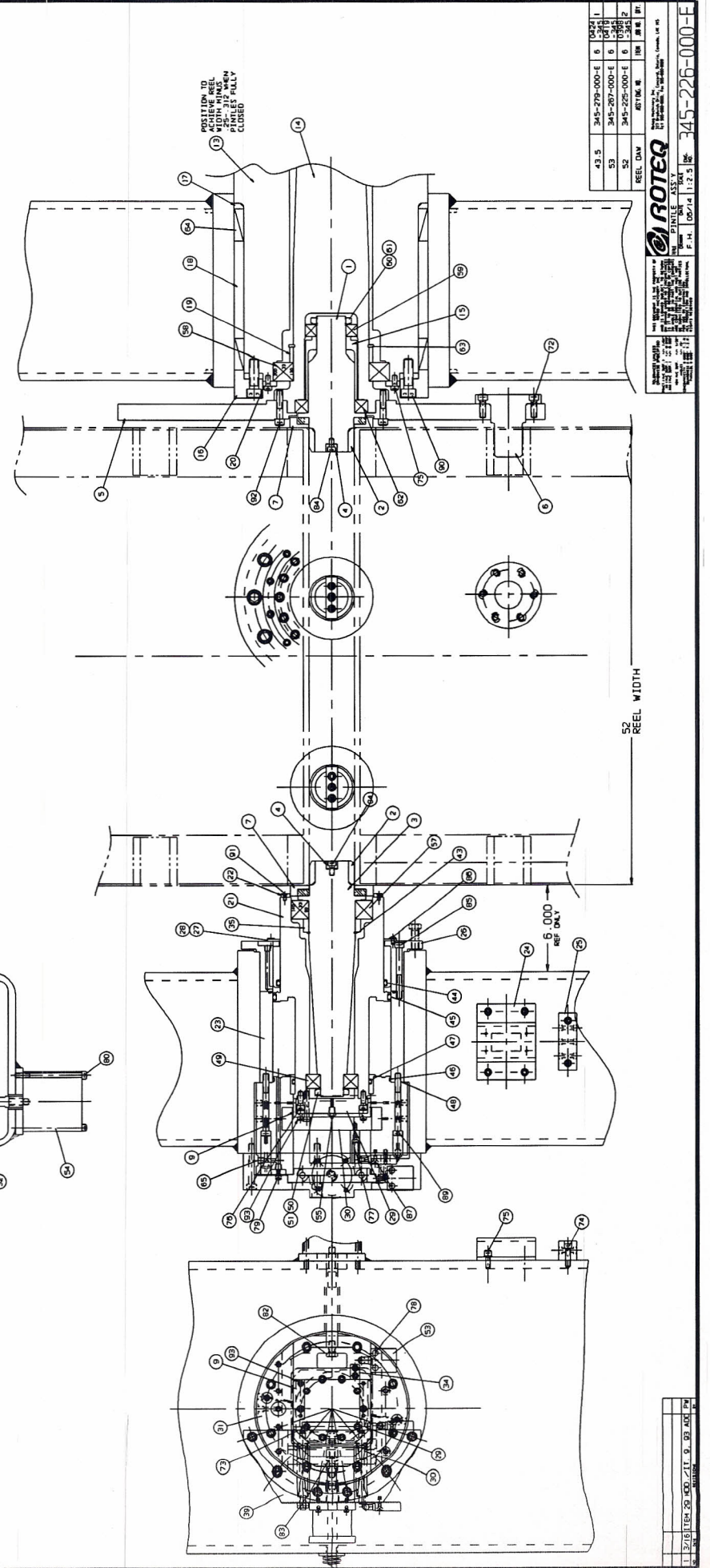
THIS DOCUMENT IS THE PROPERTY OF ROTEQ MACHINERY INC. AND IS LOANED TO YOU BY ROTEQ MACHINERY INC. IT IS TO BE USED ONLY FOR THE PURPOSES SPECIFIED IN THIS DRAWING. IT IS NOT TO BE REPRODUCED, COPIED, OR TRANSMITTED IN ANY FORM OR BY ANY MEANS, ELECTRONIC OR MECHANICAL, INCLUDING PHOTOCOPYING, RECORDING, OR BY ANY INFORMATION STORAGE AND RETRIEVAL SYSTEM. ROTEQ MACHINERY INC. 377 BRADSHAW DRIVE, CONCORD, ONTARIO, CANADA, L4K 1K5 TEL: 905-900-8900, FAX: 905-900-8999

**ROTEQ**  
MACHINERY INC.  
377 BRADSHAW DRIVE, CONCORD, ONTARIO, CANADA, L4K 1K5  
TEL: 905-900-8900, FAX: 905-900-8999

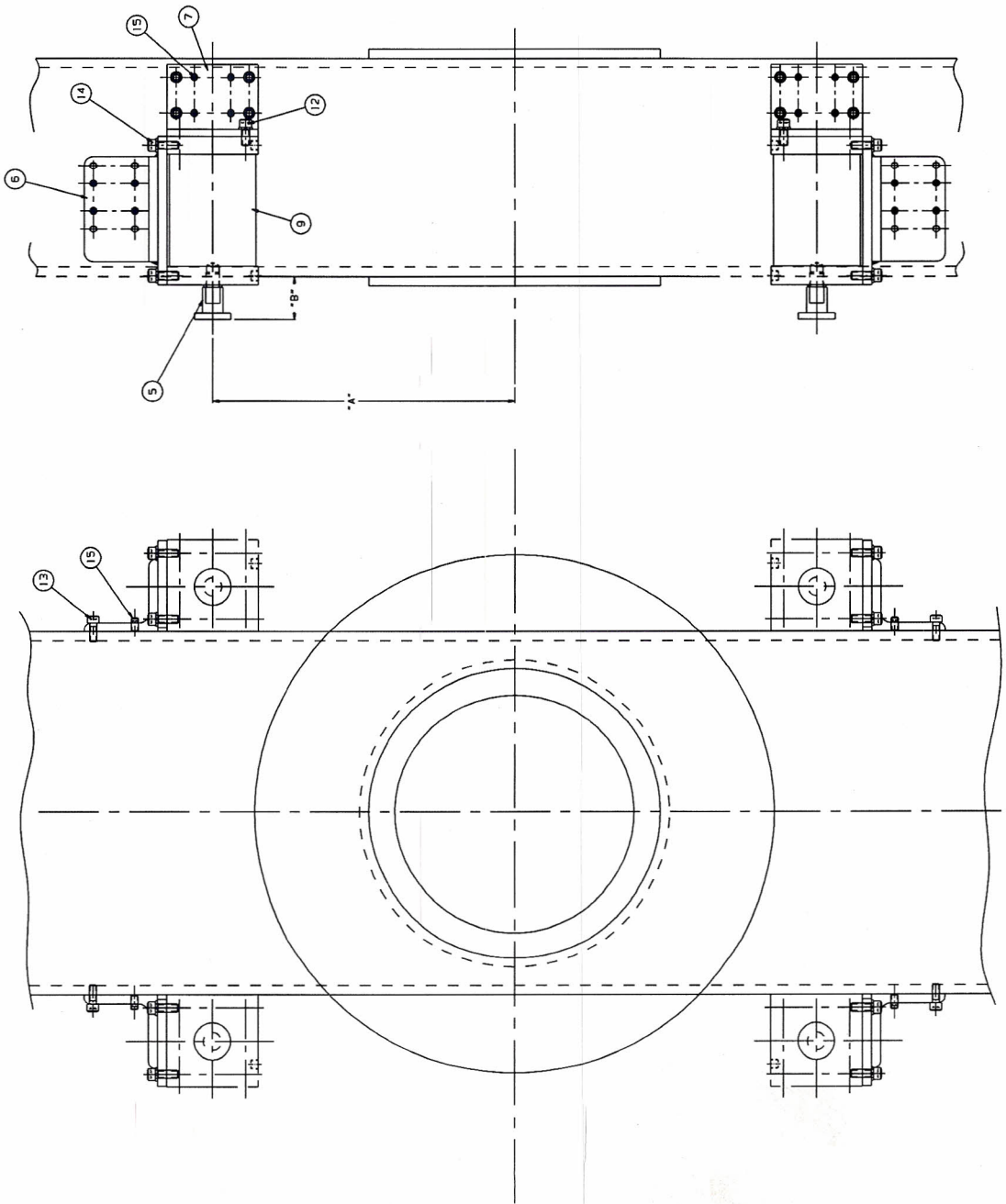
ITEM TRAVERSE DRIVE ASS'Y  
DRAWN DATE SCALE  
F. H. 11/13 1:3  
Dwg. NO. 345-208-000-0

2.5, 6, 24	345-280-000-E	24	0424	1
			-345	
2.5-7, 24	345-268-000-E	24	0419	1
			-345	
1.5, 7	345-262-000-E	28	0417	1
			-345	
1.5, 7	345-046-000-E	28	0236	1
			-345	
2.6, 7	345-245-000-E	24	0409	1
			-345	
			0368	
5-7	345-229-000-E	24	-345	2
			0367	
	345-202-000-E	24	-345	1
			-345	
ITEM NOT USED	ASSY Dwg. NO.	ITEM	JOB NO.	QTY.

ITEM	QTY	DESCRIPTION	DWG. NO. & WEG. REF.	ITEM	QTY	DESCRIPTION	DWG. NO. & WEG. REF.
4	1	MID S.H.C. SCR.	100 mm LG.	1	1	PINTLE SHIRT	345-226-001-B
5	1	MID S.H.C. SCR.	80 mm LG.	2	2	PINTLE GUMPER	000-B
6	1	MID S.H.C. SCR.	12 mm LG.	3	1	MINUTE GAUGE - 0-100	000-B
7	1	MID S.H.C. SCR.	50 mm LG.	4	2	SLEEVE RETAINER	000-B
8	1	MID S.H.C. SCR.	18 mm LG.	5	1	DRIVE PATE	000-B
9	1	MID S.H.C. SCR.	18 mm LG.	6	1	DRIVE PIN	000-B
10	1	MID S.H.C. SCR.	18 mm LG.	7	2	BRIDGE RING	000-B
11	1	MID S.H.C. SCR.	18 mm LG.	8	1	KEY SLIDE	345-226-009-B
12	1	MID S.H.C. SCR.	18 mm LG.	9	1	RET. RING	THANK # 5105-315
13	1	MID S.H.C. SCR.	18 mm LG.	10	1	D-RING 1/4 B	PARKER # 2-441
14	1	MID S.H.C. SCR.	18 mm LG.	11	1	D-RING 1/8 B	PARKER # 2-443
15	1	MID S.H.C. SCR.	18 mm LG.	12	1	D-RING 3/16 B	PARKER # 2-285
16	1	MID S.H.C. SCR.	18 mm LG.	13	1	D-RING 1/2 B	PARKER # 2-287
17	1	MID S.H.C. SCR.	18 mm LG.	14	1	4 POINT CONTACT BRG.	SWF # D1008 M
18	1	MID S.H.C. SCR.	18 mm LG.	15	1	LOCK NUT	SWF # 124 B
19	1	MID S.H.C. SCR.	18 mm LG.	16	1	LOCK WASHER	SWF # 140 B
20	1	MID S.H.C. SCR.	18 mm LG.	17	1	COMPRESSED SPRING 8' US.	PRODUCT # M-512
21	1	MID S.H.C. SCR.	18 mm LG.	18	1	LIMIT SWITCH ROLLER	HOBET WELLS # 914 CEP-9
22	1	MID S.H.C. SCR.	18 mm LG.	19	1	AIR CYLINDER 2" BORE x 2" STROKE	COMPACT # BR6042-M
23	1	MID S.H.C. SCR.	18 mm LG.	20	1	BRG. RETAINER	ALPHITE # 1013-B
24	1	MID S.H.C. SCR.	18 mm LG.	21	1	BRG. HOUSING	ERIKON # 31008
25	1	MID S.H.C. SCR.	18 mm LG.	22	1	BRG. RETAINER	MCILL # 59 2216-55
26	1	MID S.H.C. SCR.	18 mm LG.	23	1	PINTLE SLEEVE	SWF # 6006-2001
27	1	MID S.H.C. SCR.	18 mm LG.	24	1	SWITCH MTC. BRACKET	SWF # 6210-2051
28	1	MID S.H.C. SCR.	18 mm LG.	25	1	AIR MANIFOLD	SWF # 1410
29	1	MID S.H.C. SCR.	18 mm LG.	26	1	PINTLE END SLEEVE	SWF # 1410
30	1	MID S.H.C. SCR.	18 mm LG.	27	1	RUBBER RING	AMERTON # D14001-300
31	1	MID S.H.C. SCR.	18 mm LG.	28	1	STEEL RING	345-226-009-B
32	1	MID S.H.C. SCR.	18 mm LG.	29	1	GUIDE ROLLER	345-226-009-B
33	1	MID S.H.C. SCR.	18 mm LG.	30	1	LOCKING WEDGE	345-226-009-B
34	1	MID S.H.C. SCR.	18 mm LG.	31	1	END SIDE FLANGE	000-B
35	1	MID S.H.C. SCR.	18 mm LG.	32	1	AIR CYL. ROD	000-B
36	1	MID S.H.C. SCR.	18 mm LG.	33	1	TENSIDER ROD	000-B
37	1	MID S.H.C. SCR.	18 mm LG.	34	1	STRIPPER	000-B
38	1	MID S.H.C. SCR.	18 mm LG.	35	1	BRG. SPACER .870	010-B



ITEM	QTY	DESCRIPTION	DWG NO. & FIG. REF.
1			
2			
3			
4			
5	4	CYLINDER END PUSH ROD	345-228-003-B
6	2x2	CYL. MTG. BRACKET	345-047-001-C
7	4	CYL. MTG. SIDE BRACKET	-002-B
8			
9	4	AIR CYL. 4" BORE x 3 1/2 STROKE	BIMBA # F55-125-3-500
10			
11			
12	4	7/16-14 UNC S.H.C. SCR.	1" L.G.
13	32	M10 S.H.C. SR.	25 mm L.G.
14	20	7/16-14 UNC S.H.C. SCR.	1 1/4 L.G.
15	32	M10 SET SCR. FLAT POINT	20 mm L.G.
16			
17			



REV	DATE	SCALE	BY	CHKD	APP'D	QTY	UNIT
2	3/4	15	9/16	345-279-000-E	7	D424	1
2	3/4	16	7-8	345-267-000-E	8	345	1
2	5/16	16	9/16	345-225-000-E	8	D388	2

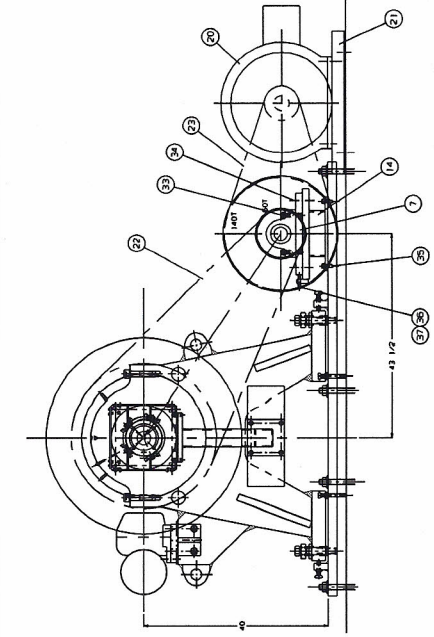
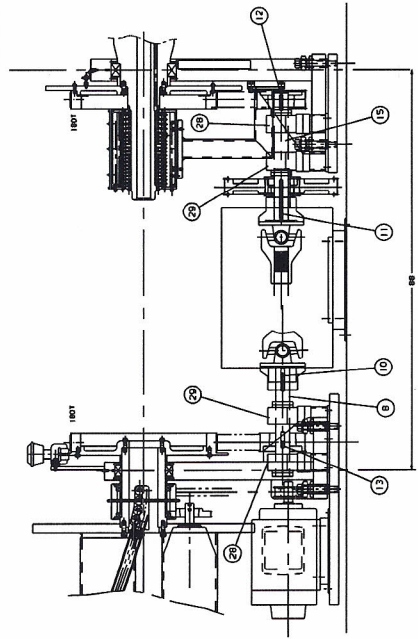
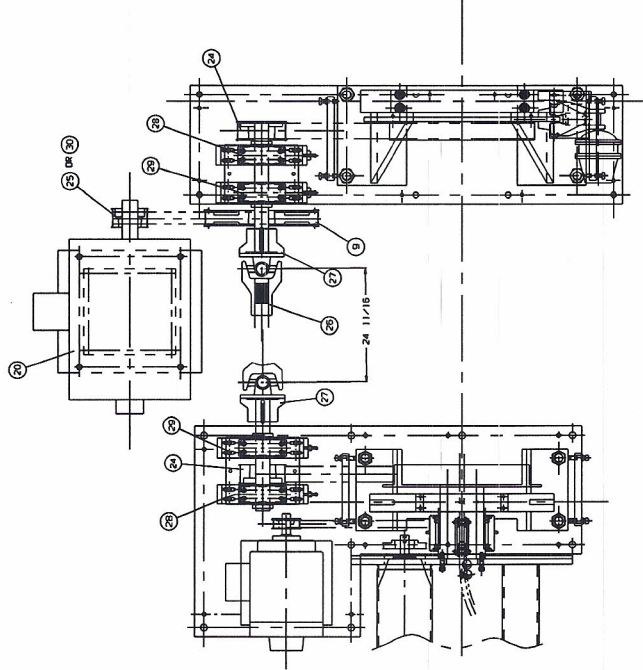
**ROTER**  
 REEL PUSH - OFF ASS'Y  
 DATE: 08/14/13  
 SCALE: 1:3  
 F. H. 1:3  
 345-228-000-D

ALL DIMENSIONS UNLESS OTHERWISE SPECIFIED ARE IN INCHES AND DECIMALS THEREOF.  
 DIMENSIONS IN PARENTHESES ARE FOR INFORMATION ONLY.  
 DIMENSIONS IN SQUARE BRACKETS ARE FOR INFORMATION ONLY.  
 DIMENSIONS IN CIRCLES ARE FOR INFORMATION ONLY.  
 DIMENSIONS IN DASHED LINES ARE FOR INFORMATION ONLY.  
 DIMENSIONS IN SOLID LINES ARE FOR INFORMATION ONLY.  
 DIMENSIONS IN DOTTED LINES ARE FOR INFORMATION ONLY.  
 DIMENSIONS IN DASHED AND DOTTED LINES ARE FOR INFORMATION ONLY.  
 DIMENSIONS IN SOLID AND DOTTED LINES ARE FOR INFORMATION ONLY.  
 DIMENSIONS IN DASHED, DOTTED AND SOLID LINES ARE FOR INFORMATION ONLY.  
 DIMENSIONS IN DASHED, DOTTED, SOLID AND DOTTED LINES ARE FOR INFORMATION ONLY.

REV	DATE	SCALE	BY	CHKD	APP'D	QTY	UNIT
1	7/15						



ITEM QTY	DESCRIPTION	QMG NO. & WEG. REF.	ITEM QTY	DESCRIPTION	QMG NO. & WEG. REF.
31			1	PILLOW BLOCK BASE	345-225-001-D
32	MHS S.H.C. SER. AND FLAT W.	80 mm LG.	2		
33	MHS S.H.C. SER.	80 mm LG.	3		
34	MHS S.H.C. SER.	80 mm LG. + F.L. W.	4		
35	MHS S.H.C. SER.	50 mm LG. + F.L. W.	5		
36	MHS S.H.C. SER.	65 mm LG.	6		
37	MHS S.H.C. SER.		7	PILLOW BLOCK MISC. PLATE	345-177-002-B
38	MHS S.H.C. SER.		8	IDLER SHAFT	345-177-002-B
39	MHS S.H.C. SER.		9	140T TIMING PALLET MODIFIED	0005-B
40	MHS S.H.C. SER.		10	140T TIMING PALLET MODIFIED	0005-B
			11	KEY SET 5.1/4 LG.	0007-B
			12	KEY SET 8.15/16 LG.	0007-B
			13	KEY SET 3.7/8 LG.	0007-B
			14	PILLOW BLOCK BASE	345-200-002-D
			15	DRIVE SHAFT	0004-B
			16		
			17		
			18		
			19		
			20	150 HP MOTOR 1800 RPM	INATION FRAME #45T
			21	MOTOR MISC. BASE	ONSOLE MOUNT # 445C240
			22	TIMING BELT 60 WIDE	GATES # 146C14410-90
			23	TIMING BELT 60 WIDE	GATES # 146C12000-60
			24	60T TIMING PALLET IN SHIPPING	GATES # 146C-002-90
			25	3.000 BORE & 310 KEY WAY	GATES # 146C-002-90
			26	3.000 BORE & 310 KEY WAY	GATES # 146C-002-90
			27	3.000 BORE & 310 KEY WAY	GATES # 146C-002-90
			28	3.000 BORE & 310 KEY WAY	GATES # 146C-002-90
			29	3.000 BORE & 310 KEY WAY	GATES # 146C-002-90
			30	3.000 BORE & 310 KEY WAY	GATES # 146C-002-90



ITEM QTY	DESCRIPTION	QMG NO. & WEG. REF.
25	3.000 BORE & 310 KEY WAY	345-279-000-E
26	3.000 BORE & 310 KEY WAY	345-279-000-E
27	3.000 BORE & 310 KEY WAY	345-279-000-E
28	3.000 BORE & 310 KEY WAY	345-279-000-E
29	3.000 BORE & 310 KEY WAY	345-279-000-E
30	3.000 BORE & 310 KEY WAY	345-279-000-E

**ROTEK**  
 1000 W. 10th St., Suite 100, Phoenix, AZ 85001  
 (602) 998-1111  
 FAX: (602) 998-1112  
 www.rotetek.com

345-275-000-E  
 345-200-000-E  
 345-221-000-E  
 345-177-002-B  
 0005-B  
 0007-B  
 0004-B

345-275-000-E  
 345-200-000-E  
 345-221-000-E  
 345-177-002-B  
 0005-B  
 0007-B  
 0004-B

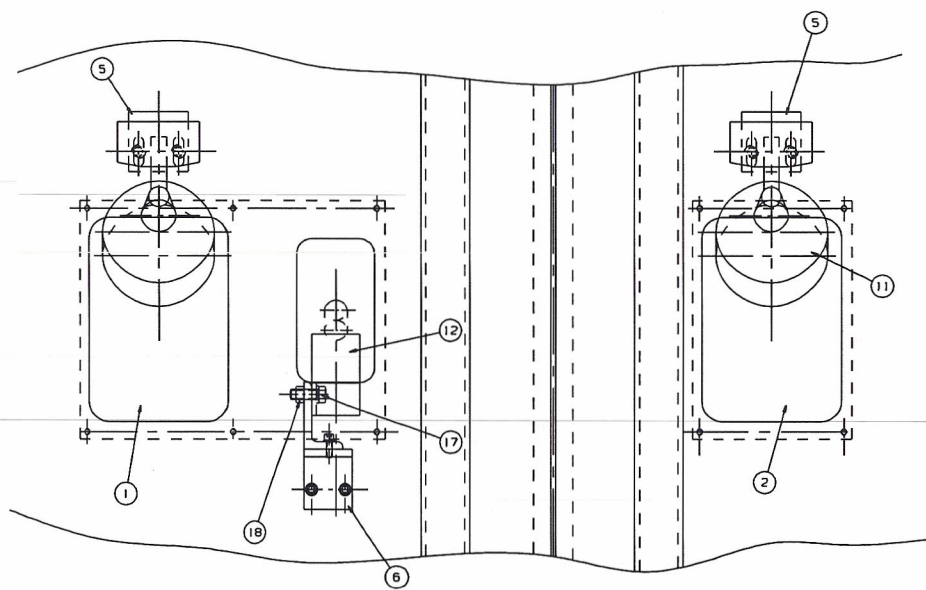
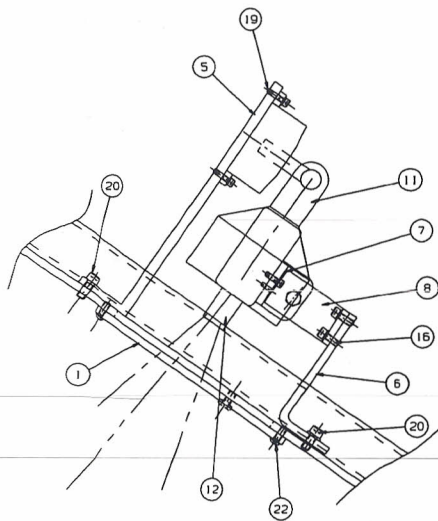
345-275-000-E  
 345-200-000-E  
 345-221-000-E  
 345-177-002-B  
 0005-B  
 0007-B  
 0004-B

345-275-000-E  
 345-200-000-E  
 345-221-000-E  
 345-177-002-B  
 0005-B  
 0007-B  
 0004-B

345-275-000-E  
 345-200-000-E  
 345-221-000-E  
 345-177-002-B  
 0005-B  
 0007-B  
 0004-B

345-275-000-E  
 345-200-000-E  
 345-221-000-E  
 345-177-002-B  
 0005-B  
 0007-B  
 0004-B

345-275-000-E  
 345-200-000-E  
 345-221-000-E  
 345-177-002-B  
 0005-B  
 0007-B  
 0004-B



ITEM	QTY	DESCRIPTION	DWG NO. & MFG. REF.
1	1	LEXAN COVER - LARGE	345-238-001-B
2	1	LEXAN COVER - SMALL	-002-B
3			
4			
5	2	LIGHT MTG. BRACKET	345-218-001-B
6	1	ANGLE BRACKET	-002-B
7	1	CAMERA SWIVEL BRACKET	345-034-003-B
8	1	CAMERA MTG. ANGLE	530-113-003-B
9			
10			
11	2	LANDSCAPE LIGHT UNIT WITH MOUNT FIXTURE BULB 38 90W 120 VAC	RAB # H1018 RAB # LRTS PHILIPS # 13402-3
12	1	CAMERA UNIT	-
13			
14			
15			
16	2	MB S.H.C. SCR.	25 mm LG. + L.W.
17	1	M12 HEX. BOLT	40 mm LG. + L.W.
18	1	M12 HEX. NUT	-
19	4	MB S.H.C. SCR.	25 mm LG. + FL.W.
20	6	M10 S.H.C. SCR.	25 mm LG. + L.W.
21	4	MB S.H.C. SCR.	12 mm LG. + L.W.
22	10	MB BUTT. HD. SCR.	20 mm LG. + L.W.

NO.	DATE	REVISIONS	BY

THIS DOCUMENT IS THE PROPERTY OF ROTEQ MACHINERY INC. AND IS LOANED TO YOU BY THE COMPANY. IT IS TO BE RETURNED TO THE COMPANY WITH ALL ORIGINAL ATTACHMENTS AND COPIES. IT IS NOT TO BE REPRODUCED OR TRANSMITTED IN ANY FORM OR BY ANY MEANS, ELECTRONIC OR MECHANICAL, INCLUDING PHOTOCOPYING, RECORDING, OR BY ANY INFORMATION STORAGE AND RETRIEVAL SYSTEM.

THIS DOCUMENT IS THE PROPERTY OF ROTEQ MACHINERY INC. AND IS LOANED TO YOU BY THE COMPANY. IT IS TO BE RETURNED TO THE COMPANY WITH ALL ORIGINAL ATTACHMENTS AND COPIES. IT IS NOT TO BE REPRODUCED OR TRANSMITTED IN ANY FORM OR BY ANY MEANS, ELECTRONIC OR MECHANICAL, INCLUDING PHOTOCOPYING, RECORDING, OR BY ANY INFORMATION STORAGE AND RETRIEVAL SYSTEM.

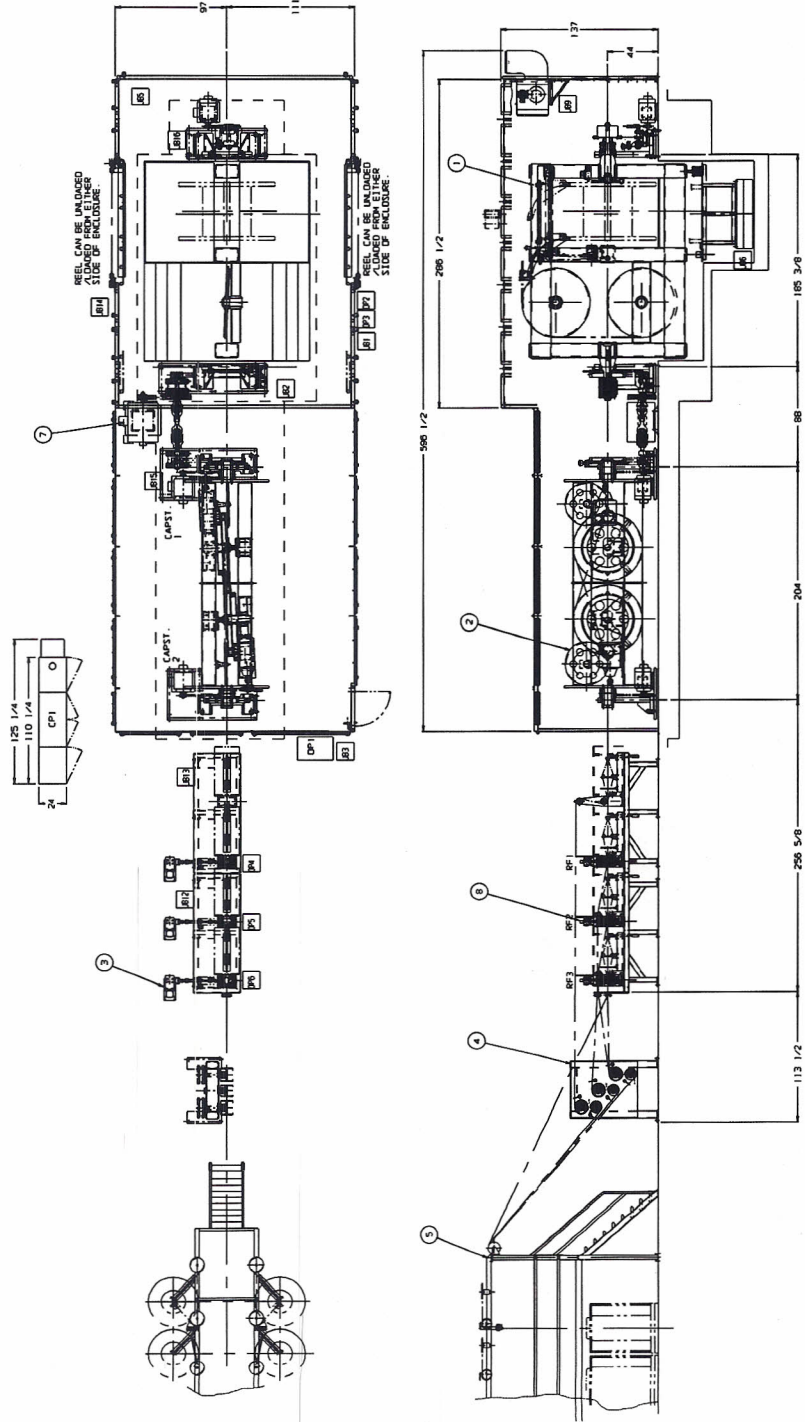
**ROTEQ**  
 TITLE: CAMERA & LIGHTS MTG. ASS'Y  
 DRAWN: DATE: SCALE: 1:3  
 F.H. 09/14 1:3

345-283-000-E	24	0424	1
-345			
345-275-000-E	22	0419	1
-345			
345-232-000-E	22	0398	2
-345			
ASS'Y DWG. NO.	ITEM	JOB NO.	QTY.

Roteq Machinery Inc.  
 317 Brackish Drive, Concord, Ontario, Canada, L4C 1K5  
 Tel: 905-880-8800, Fax: 905-880-8808

345-238-000-D

ITEM	QTY	DESCRIPTION	DWG NO. & REV. REF.
1	1	84" SINGLE TWIST STRANGER	345-202-000-E
2	1	84" WHEEL ROTATING CAPSTAN	401-002-000-E
3	3	345-202-000-E CAPSTAN	345-202-000-E
4	1	WIRE INSULIDER ASY	345-005-000-E
5	1	STER PAIR-OFF AND WIRE GUIDING	BY CUSTOMER
6	1	345-202-000-E	345-202-000-E
7	1	SINGLE TWIST & CAPSTAN DRIVE ASY	500-203-000-E
8	1	ROLL FORMING STATION ASSEMBLY	345-000-011-D
9	1	AIR SCHEMATIC	345-000-011-D
10	1	DRIVE SCHEMATIC	345-000-011-E
11	1	FOUNDATION DRAWING	345-
12	1	ENCLOSURE INSTALLATION LAYOUT	345-



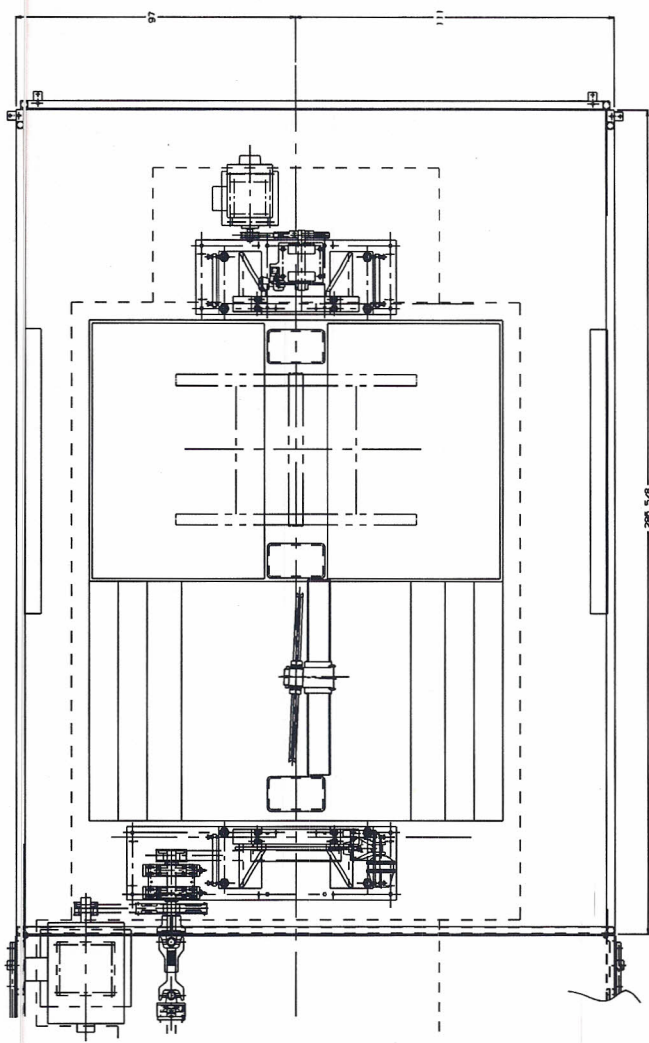
DIMENSIONS IN INCHES

**ROTAR**  
 10000 W. 100th St., Minneapolis, MN 55438  
 TEL: 612-835-1100 FAX: 612-835-1101  
 WWW.ROTAR.COM

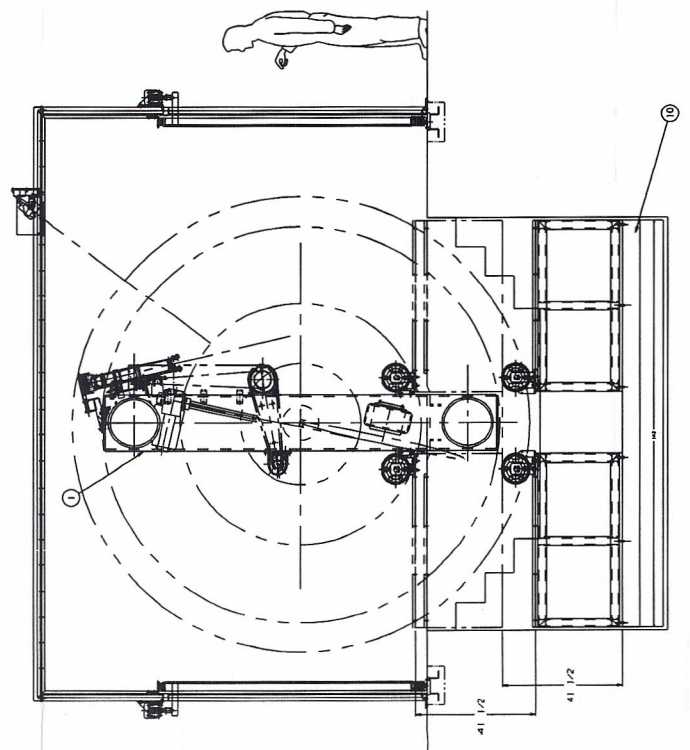
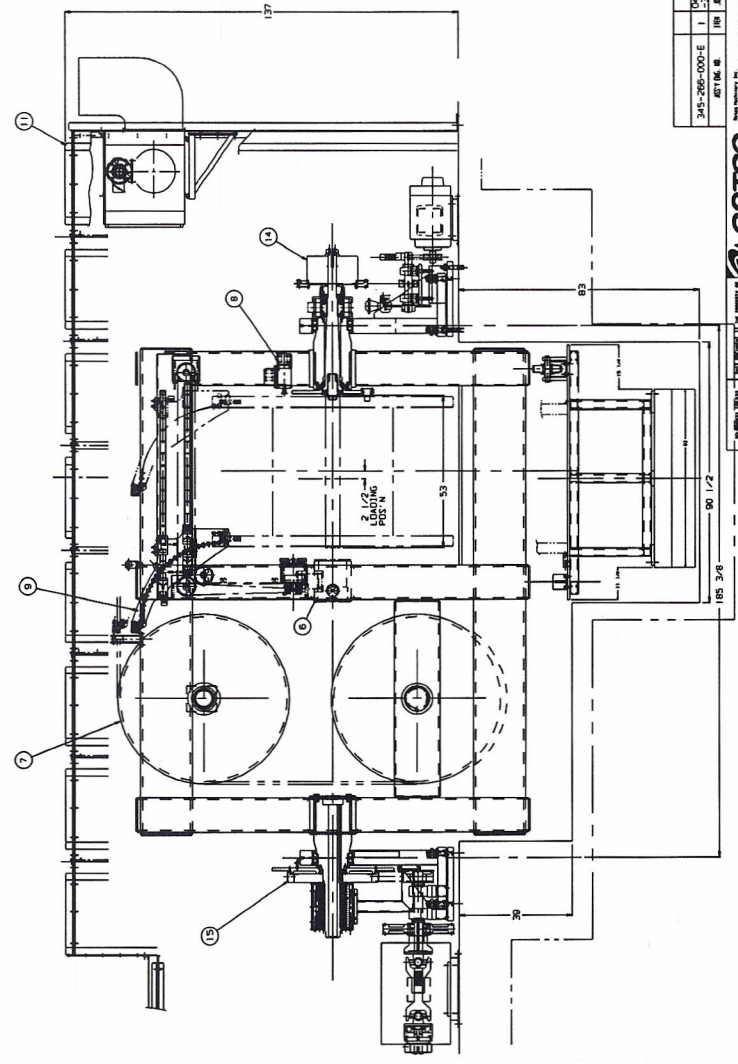
DATE: 05/10 1:40  
 FILE: 345-266-000-E

2	1/16	ELEC. CAB. SKETCH	IN SCALE	1/4"
3	1/16	STR. PLAN	IN SCALE	1/4"

ITEM	QTY	DESCRIPTION	DWG NO.	1	REV.	REF.
1	1	ROTATING FRAME	345-201-001-E			
2	1	FRAME RESP - DETAILS	-002-E			
3						
4						
5	1	FRAME ASST'Y	345-204-000-E			
6	1	GEAR SYSTEM ASST'Y	-270-000-E			
7	1	REEL HOIST ASST'Y	-208-000-D			
8	1	TRUCK ASST'Y	-208-000-E			
9	1	LIFT FIBRE AND REEL GUIDES	-274-000-E			
10	1	ENCLOSURE ASST'Y	345-275-000-E			
11	1					
12	1					
13	1	REEL WIRE ASST'Y	345-201-000-E			
14	1	ENTRY BRG. ASST'Y	-204-000-E			
15	1					
16	1					



288 3/8



REV	DATE	BY	CHKD
1	10/15/68	WJ	WJ

345-201-001-E

REV. 1

345-267-000-E

ROTER

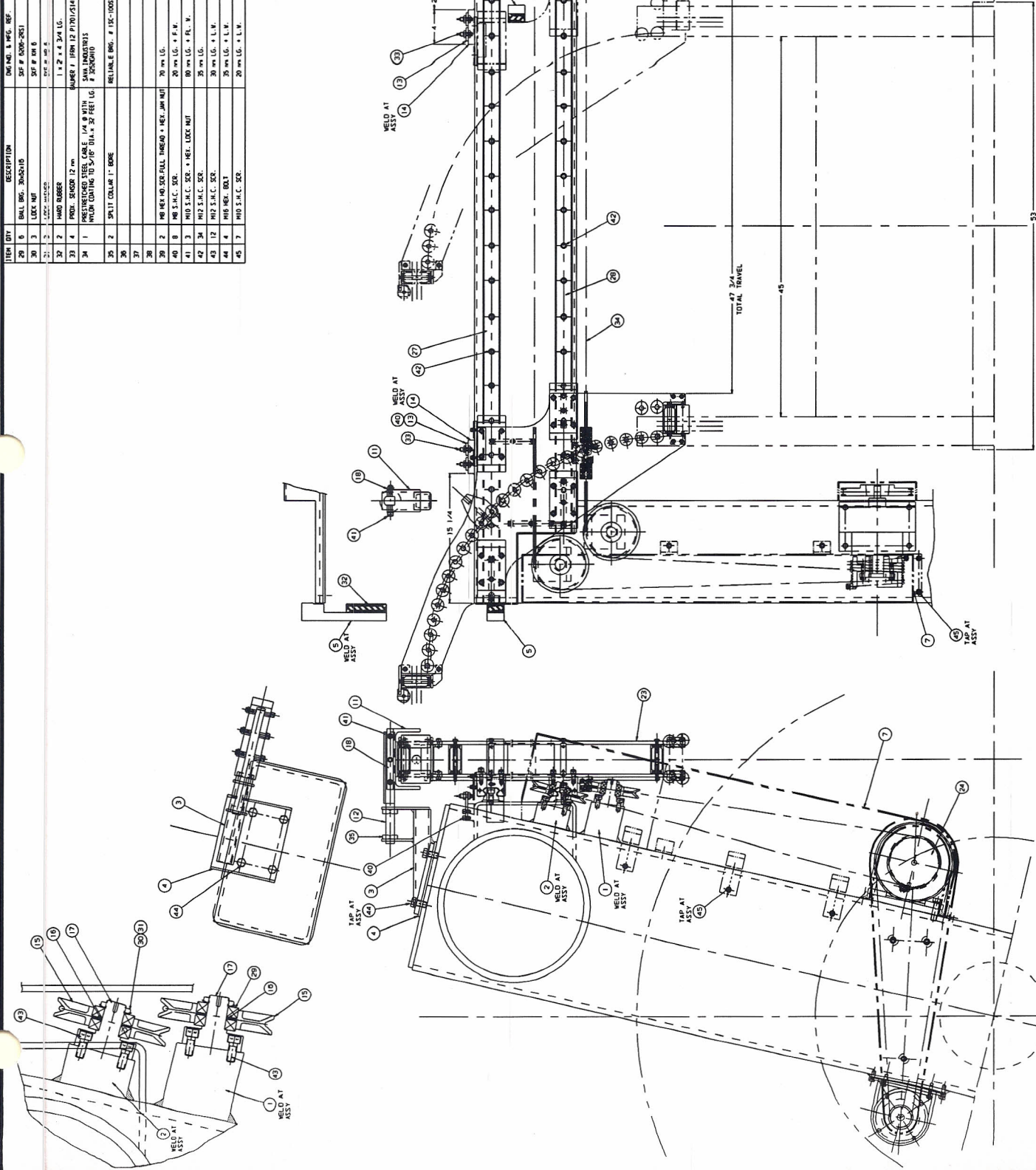
ROTER ENGINEERING CO. INC.

1000 W. 10th St., Tulsa, Okla. 74106

TELEPHONE: 336-1111

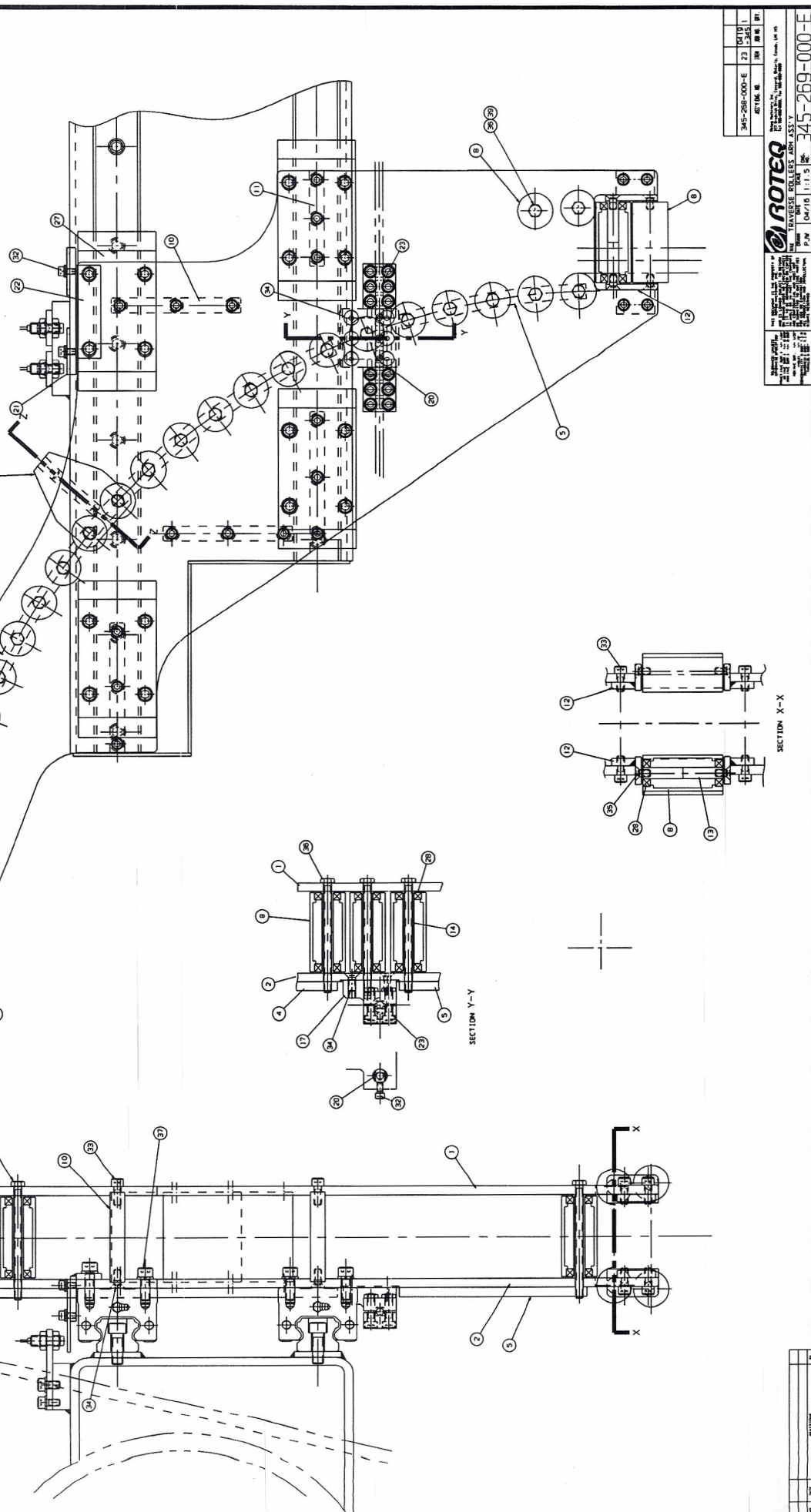


ITEM	QTY	DESCRIPTION	DWG. NO. & REV. REF.	ITEM	QTY	DESCRIPTION	DWG. NO. & REV. REF.
29	6	BALL BKG. 30x30x10		1	1	SHAWNEE RTG. BLK.	345-200-001-B
30	3	LOCK NUT	SF # 400-201	2	1	SHAWNEE RTG. BLK.	345-200-001-B
31	2	LOCK WASHER	SF # 400-201	3	1	SHAWNEE RTG. BLK.	345-200-001-B
32	2	HARD RUBBER	1 x 2 x 4 3/4 LG.	4	1	SWIRL	345-200-001-B
33	4	PROOF SEASOR 12 IN	NUMBER 1 FROM 12 P1700/STAL	5	1	PROXIMATE STOP - LEFT	345-200-001-B
34	1	PRESTRESS STEEL CABLE 1/4" Ø WITH SWIRL UNDERSTRESS W/ROPE COATING TO 5/16" DIA. x 32 FEET LG.		6	1	PROXIMATE STOP - RIGHT	345-200-001-B
35	2	SPLIT COLLAR 1" BORE	RELIABLE BKG. # 15C-1005	7	1	ROPE END COVER	345-200-001-B
36	1	SHAWNEE RTG. PLATE		8	1	SHAWNEE RTG. PLATE	345-200-001-C
37	1	SLIDE BASE		9	1	SLIDE BASE	345-200-001-C
38	2	1/8" HEX HD. SCR. FULL THREAD x HEX. JAM NUT		10	1	HYDRA GUIDE	345-200-001-B
39	2	1/8" HEX HD. SCR. 70 mm LG.		11	1	GUIDE BAR	345-200-001-B
40	8	1/8" S.H.C. SCR.	20 mm LG. x F.W.	12	1	PROXIMITY SWITCH PLATE	345-200-001-B
41	3	1/8" S.H.C. SCR. x HEX. LOCK NUT	30 mm LG. x F.W.	13	1	PROXIMITY SWITCH PLATE	345-200-001-B
42	34	1/8" S.H.C. SCR.	30 mm LG.	14	2	ROPE SHEAVE	345-200-001-B
43	12	1/8" S.H.C. SCR.	30 mm LG. x L.W.	15	3	ROPE BRACE	345-200-001-B
44	4	1/8" HEX. SCR.	25 mm LG. x L.W.	16	2	SHAWNEE - SHAFI	345-200-001-B
45	7	1/8" S.H.C. SCR.	20 mm LG. x L.W.	17	2	FLAT BAR	345-200-001-B
19	1	LINEAR BKG. RAIL 1830 mm LONG		18	2	FLAT BAR	345-200-001-B
20	20			19	1	LINEAR BKG. RAIL 1830 mm LONG	SEE TYPE SPEC. AS (ALL) THE # 1830S
21	20			20	1	LINEAR BKG. RAIL 1830 mm LONG	SEE TYPE SPEC. AS (ALL) THE # 1830S
22	1	TRAVERSE ROLLER ARM ASSY		21	1	LINEAR BKG. RAIL 1830 mm LONG	SEE TYPE SPEC. AS (ALL) THE # 1830S
23	1	TRAVERSE DRIVE ASSY		22	1	LINEAR BKG. RAIL 1830 mm LONG	SEE TYPE SPEC. AS (ALL) THE # 1830S
24	1	TRAVERSE DRIVE ASSY		23	1	LINEAR BKG. RAIL 1830 mm LONG	SEE TYPE SPEC. AS (ALL) THE # 1830S
25	2			24	1	LINEAR BKG. RAIL 1830 mm LONG	SEE TYPE SPEC. AS (ALL) THE # 1830S
26	2			25	1	LINEAR BKG. RAIL 1830 mm LONG	SEE TYPE SPEC. AS (ALL) THE # 1830S
27	1			26	1	LINEAR BKG. RAIL 1830 mm LONG	SEE TYPE SPEC. AS (ALL) THE # 1830S
28	1			27	1	LINEAR BKG. RAIL 1830 mm LONG	SEE TYPE SPEC. AS (ALL) THE # 1830S



345-200-000-E - Dwg. No. 1  
 198  
 345-268-000-E  
 ROTEC  
 TRAVESSE ASSY  
 P. 1 of 1

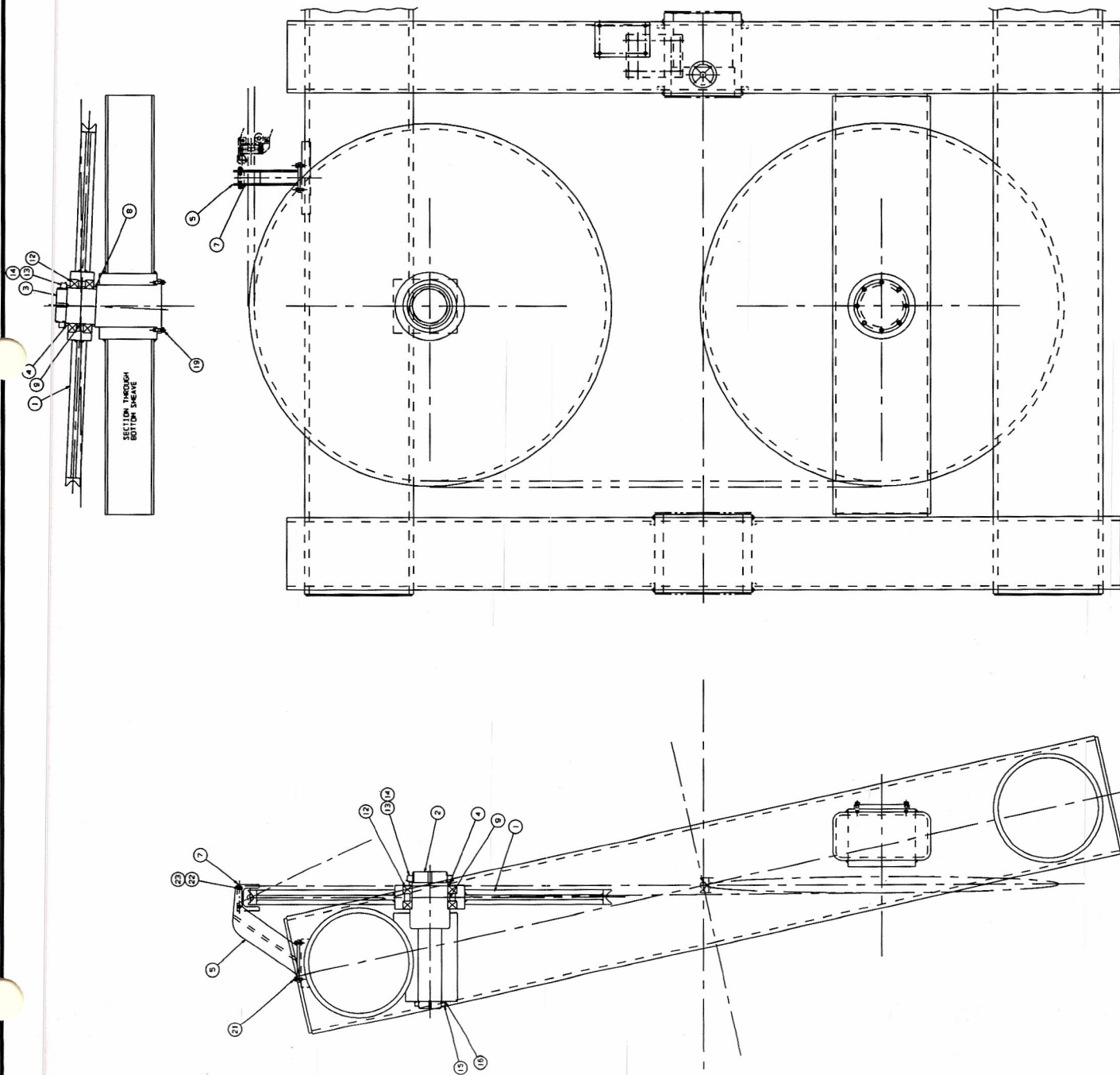
ITEM	QTY	DESCRIPTION	DMG. NO. & MFG. REF.	ITEM	QTY	DESCRIPTION	DMG. NO. & MFG. REF.
26	1	TRANSVERSE CARRIER - RIGHT SIDE	345-200-001-E	17	1	PULLING BLOCK	345-200-012-B
27	1	TRANSVERSE CARRIER - LEFT SIDE	345-200-001-E	18	1	ROLLER MFG. BRACKET BOTTOM	345-200-014-B
28	2	TRANSVERSE MID GUIDE	345-200-002-C	19	1	SPRIT CLAMPING SLEEVE	345-200-015-B
29	1	THREADED BACK PLATE - LONG	345-200-004-C	20	2	STRIPPER	345-200-016-B
30	1	THREADED BACK PLATE - SHORT	345-200-005-B	21	1	STRIPPER MFG. BRACKET	345-200-017-B
31	6			22	2	CLAMPING COLLAR	345-007-025-C
32	7	M6 S.H.C. SCR.		23			
33	20	M6 S.H.C. SCR.		24			
34	21	M6 S.H.C. SCR.		25			
35	12	M6 S.H.C. SCR.					
36	24	M6 S.H.C. SCR.					
37	16	M6 S.H.C. SCR.					
38	2	M6 S.H.C. SCR.					
39	4	M6 S.H.C. SCR.					
40	2	M6 S.H.C. SCR.					



REV. NO.	DATE	BY	CHKD BY
1			
2			
3			
4			

**ROTER**  
 TRANVERSE ROLLER ASSEMBLY  
 345-269-000-E  
 1/1/13  
 345-269-000-E

ITEM	QTY	DESCRIPTION	DWG NO. & WLG. REF.
1	2	GUIDE SHEAVE	345-270-001-C
2	1	UPPER SHEAVE SHAF	-002-C
3	1	LOWER SHEAVE ECCENTRIC SHAF	-003-C
4	2	END SPACER	-004-B
5	1	WLG. BRACKET	-005-C
6			
7	1	WLDN GUIDE	345-227-006-B
8	1	SPACER .500	345-206-010-B
9	2	SPACER 1.120	-010-B
10			
11			
12	4	BALL BEG. 50 x 225 x 25	SKF # 6030-203
13	2	LOCK NUT 145 mm BORE	SKF # RN 20
14	2	LOCK WASHER 145 mm BORE	SKF # RW 20
15	1	LOCK NUT 85 mm BORE	SKF # RN 18
16	1	LOCK WASHER 85 mm BORE	SKF # RW 18
17			
18			
19	8	M12 S.H.C. SCR.	28 mm L.G. x L.W.
20			
21	4	M10 S.H.C. SCR.	29 mm L.G. x L.W.
22	2	M10 S.H.C. SCR.	80 mm L.G. x L.W.
23	2	M10 HEX. LOCK NUT	



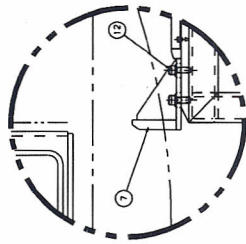
345-270-000-E	7	01/19
REV	DATE	BY
01	01/18	1

**ROTEQ**  
 ROTARY DRIVE SYSTEMS  
 11000 W. 112th St., Suite 100  
 Omaha, NE 68148  
 Phone: (402) 426-1100  
 Fax: (402) 426-1101  
 Email: sales@roteq.com  
 Website: www.roteq.com

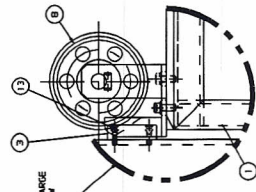
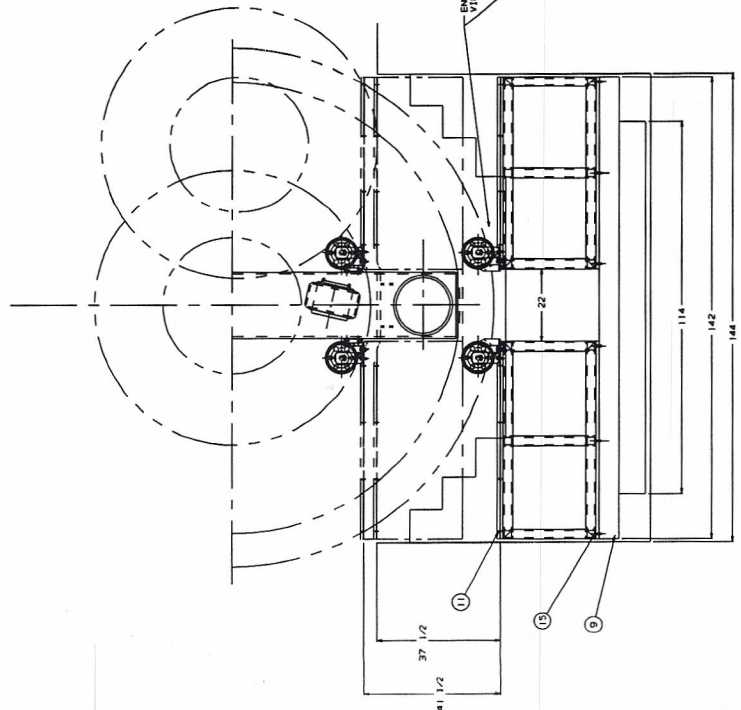
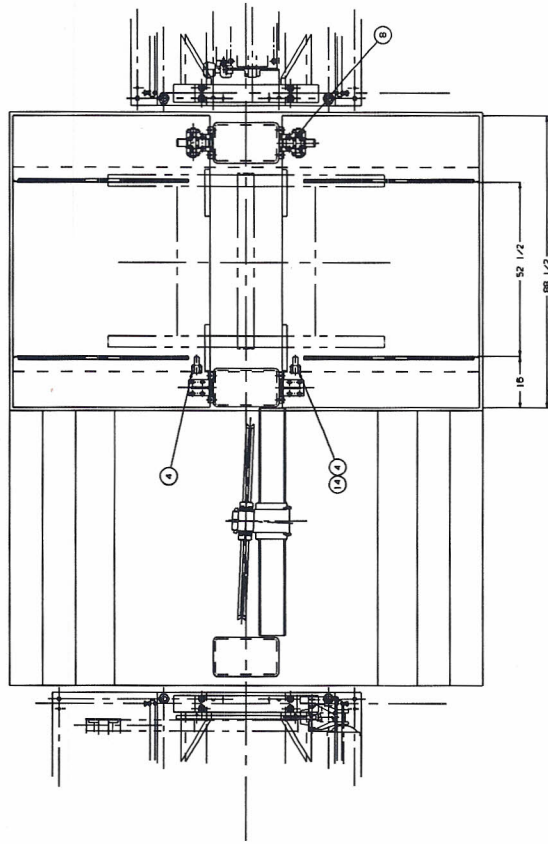
345-270-000-E Rev. 01/18 1 of 1



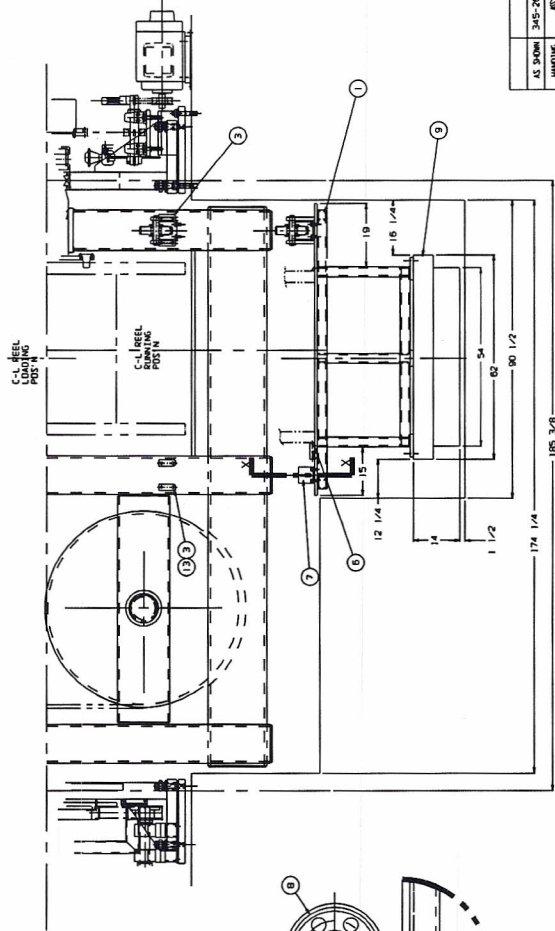
ITEM	QTY	DESCRIP.	DWG. NO. & REV. REF.
1	1	LOADING PLATFORM	345-274-001-E
2	1	UNCLAMP BRACKET	345-274-002-B
3	2	REEL RETAINER BRACKET	345-274-003-B
4	2	REEL GUIDE ANGLE	345-207-002-C
5	2	FRAME LOCATOR BRACKET	345-272-000-C
6	2	FRAMES LOCATOR ROLLER ASSEMBLY	345-272-000-C
7	1	FRAMES LOCATOR ROLLER ASSEMBLY	345-272-000-C
8	1	FRAMES LOCATOR ROLLER ASSEMBLY	345-272-000-C
9	1	FRAMES LOCATOR ROLLER ASSEMBLY	345-272-000-C
10	1	FRAMES LOCATOR ROLLER ASSEMBLY	345-272-000-C
11	16	M6 S.H.C. SCR.	20 mm LG. x 1.6 mm
12	8	M6 S.H.C. SCR.	40 mm LG. x 1.6 mm
13	8	M2 S.H.C. SCR.	25 mm LG.
14	8	M0 S.H.C. SCR.	20 mm LG.
15	12	M2 M6-16A0 SCR. & LOCK W.	45 mm LG.



SECTION X-X



ENLARGE VIEW

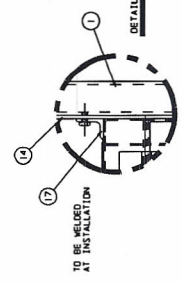
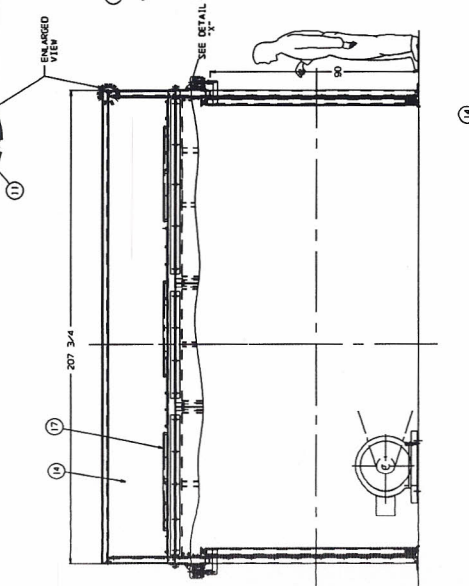
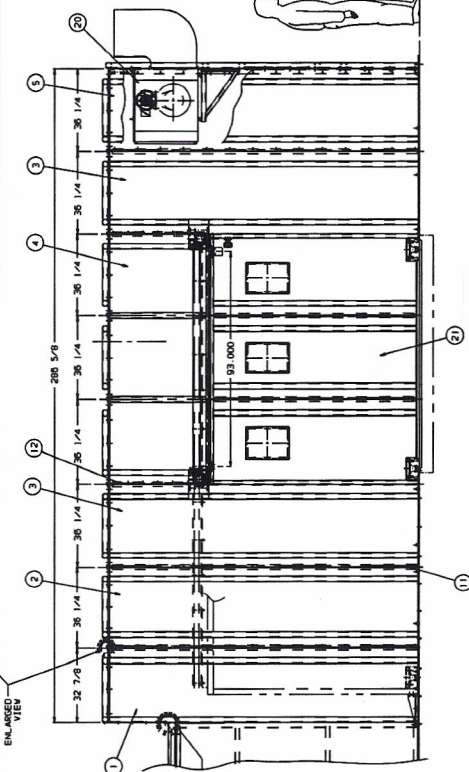
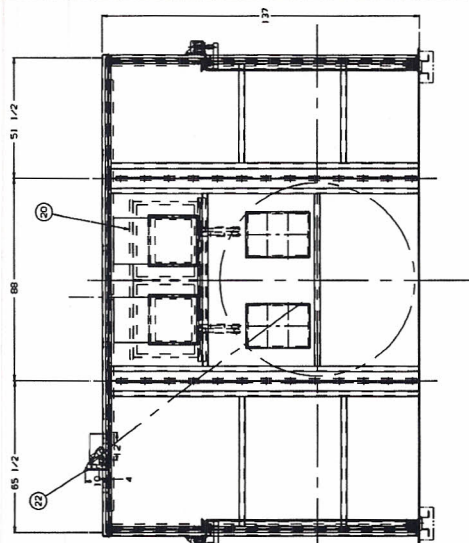
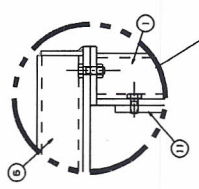
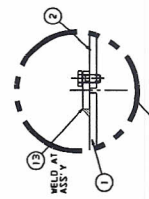
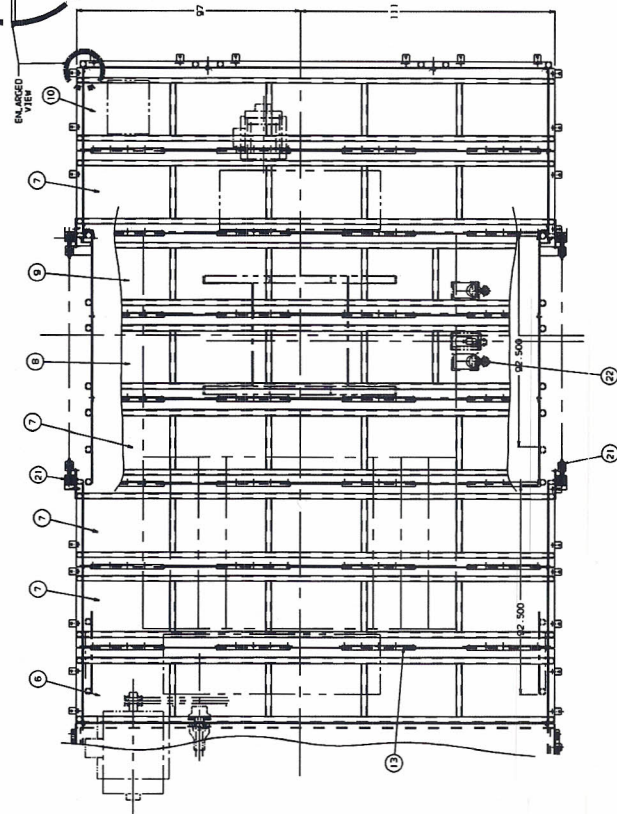
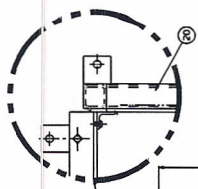


REV.	DATE	BY	CHKD.	DESCRIPTION
1	06/10/11	11174		REV. 1
2	06/10/11	11174		REV. 2

**ROTEC**  
 1000 W. 10th St., Suite 100  
 Phoenix, AZ 85001  
 Phone: (602) 944-1174  
 Fax: (602) 944-1175  
 Email: sales@rotec.com  
 Website: www.rotec.com

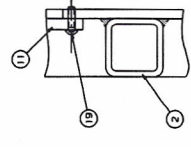
345-274-000-E

ITEM	QTY	DESCRIPTION	DWG. NO. & WELD. REF.
1	111	FRONT ENTRY PANEL	345-275-001-0
2	111	FRONT MIDDLE PANEL	-002-0
3	111	FRONT REAR PANEL	-003-0
4	2	TOP DOOR PANEL	-004-0
5	111	EXIT PANEL	-005-0
6	1	TOP ENTRY PANEL	-007-0
7	4	TOP COMMON PANEL	-008-0
8	1	TOP PANEL & OUTPUT FOR CAMERA & LIGHT	-009-0
9	1	TOP PANEL & OUTPUT FOR LIGHT	-010-0
10	1	TOP END PANEL	-011-0
11	6	SIDE INNER TIE BAR	-012-B
12	4	TOP SIDE INNER TIE BAR	-012-B
13	26	TOP TIE BAR	-012-B
14	1	TOP SIDE PLATE	-014-C
15			
16			
17	3	SIDE TURNER ANGLE	345-272-015-B
18			
19			
20	1	RIGHT SIDE END PANEL ASSY	345-276-000-E
21	111	SLIDE DOOR ASSY	-224-000-E
22	1	LIGHTS & CAMERA ASSY	-228-000-0
23			
24			
25			
26			
27			
28	248	HID EXT. BOLT	25 mm LG. x 1/4"
29	66	HID EXT. BOLT + HEX. NUT	25 mm LG.
30	20	HID SP. NO. SET SCREW FLAT POINT	30 mm LG.
31			
32			

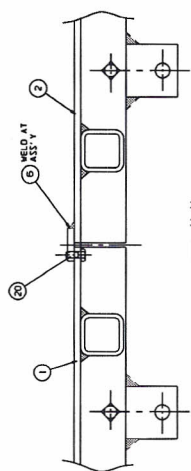


**ROTEQ**  
 SINGLE TEST ENCLOSURE  
 P.O. BOX 1120  
 345-275-000-E

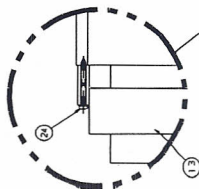
ITEM	QTY	DESCRIPTION	DWG. NO. & MFG. REF.	ITEM	QTY	DESCRIPTION	DWG. NO. & MFG. REF.
16	1	TWIN BLUNDER DUCT & 5 HP. MOTOR UNIT VOLTAGE 480/3/3/0	DELTA INDUSTRIES INC. MODEL 7152 MOTOR MFG. MUST INCLUDE INLET	1	1	SIDE PANEL - LEFT	345-276-001-D
17	1			2	1	MIDDLE PANEL	-002-D
18	1			3	1	SIDE PANEL - RIGHT	-004-D
19	2			4	2	TOP TIE ANGLE	-004-B
20	2	25 mm LG. x 25 mm W.		5	2	SIDE TIE ANGLE	-005-B
21	2	25 mm LG. x 25 mm W.		6	2	VERT CORNER MFG ANGLE	-005-B
22	2	25 mm LG. x 25 mm W.		7	2	VERT CORNER	-005-B
23	2	25 mm LG. x 25 mm W.		8	2	SIDE INNER TIE BAR	345-276-011-B
24	2	25 mm LG. x 25 mm W.		9	2	FAN MFG. FRAME	345-216-003-C
25	2	2 1/2 LG. x 1 1/2 W.		10	2	LEAN-IN WINDOW	-004-B
26	2	12 mm LG. x 12 mm W.		11	2	OUTLET DUCT	536-112-002-C
27	2	10 mm LG. x 10 mm W.		12	2	FAN - FILTER MOD.	536-112-005-C
28	2			13	2		
29	2			14	2		
30	2			15	2		



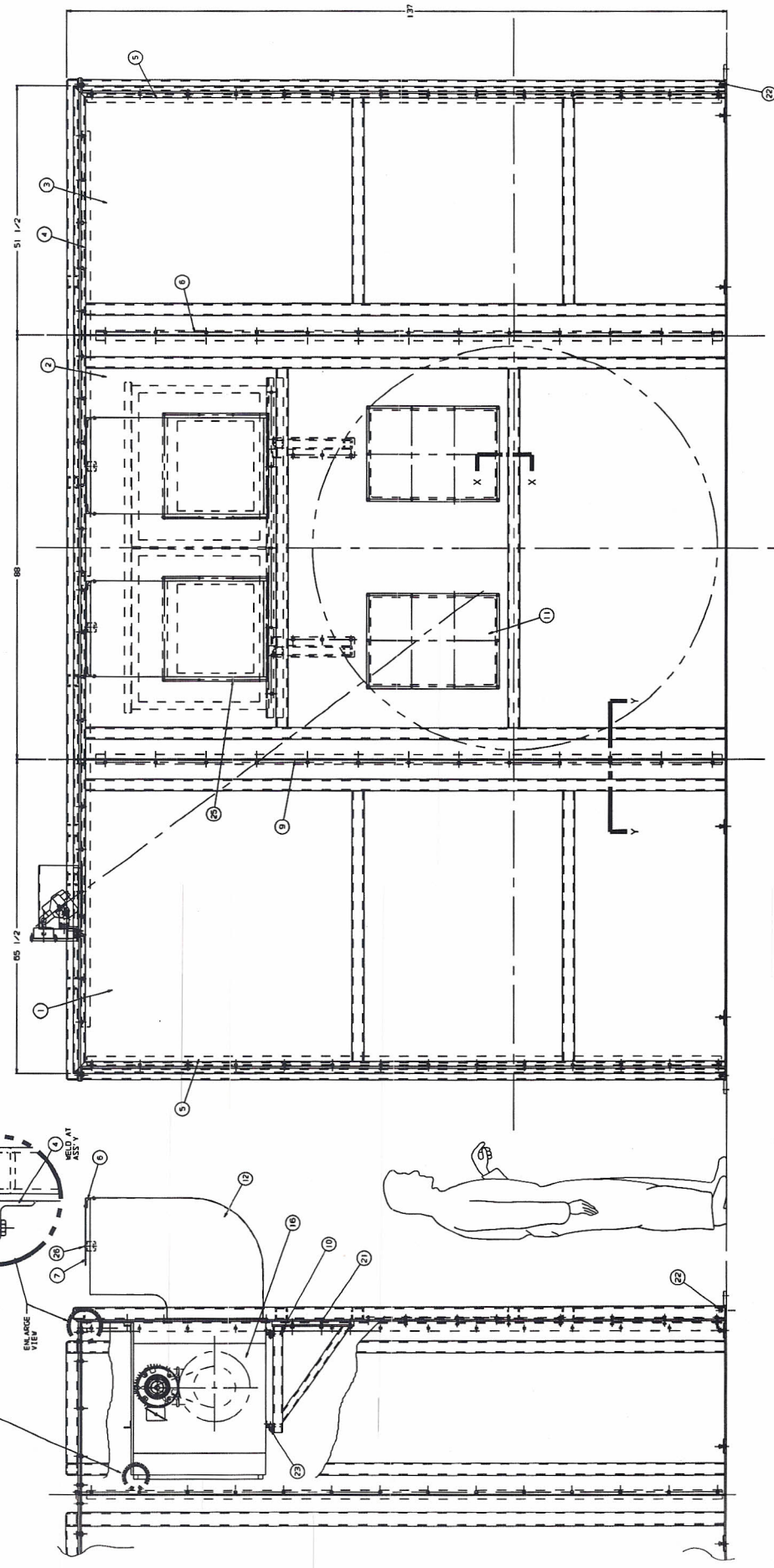
SECTION X-X



SECTION Y-Y



ENLARGED VIEW

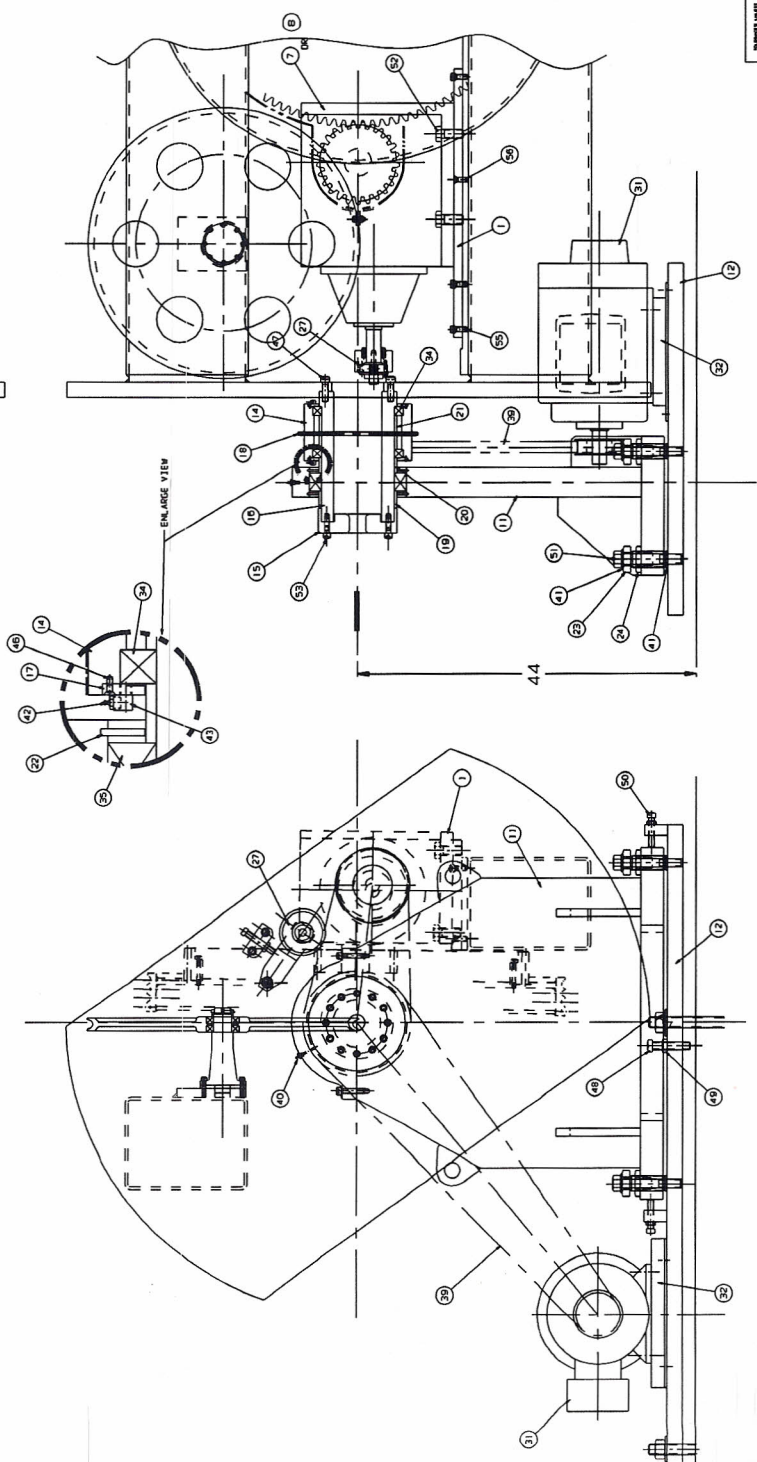
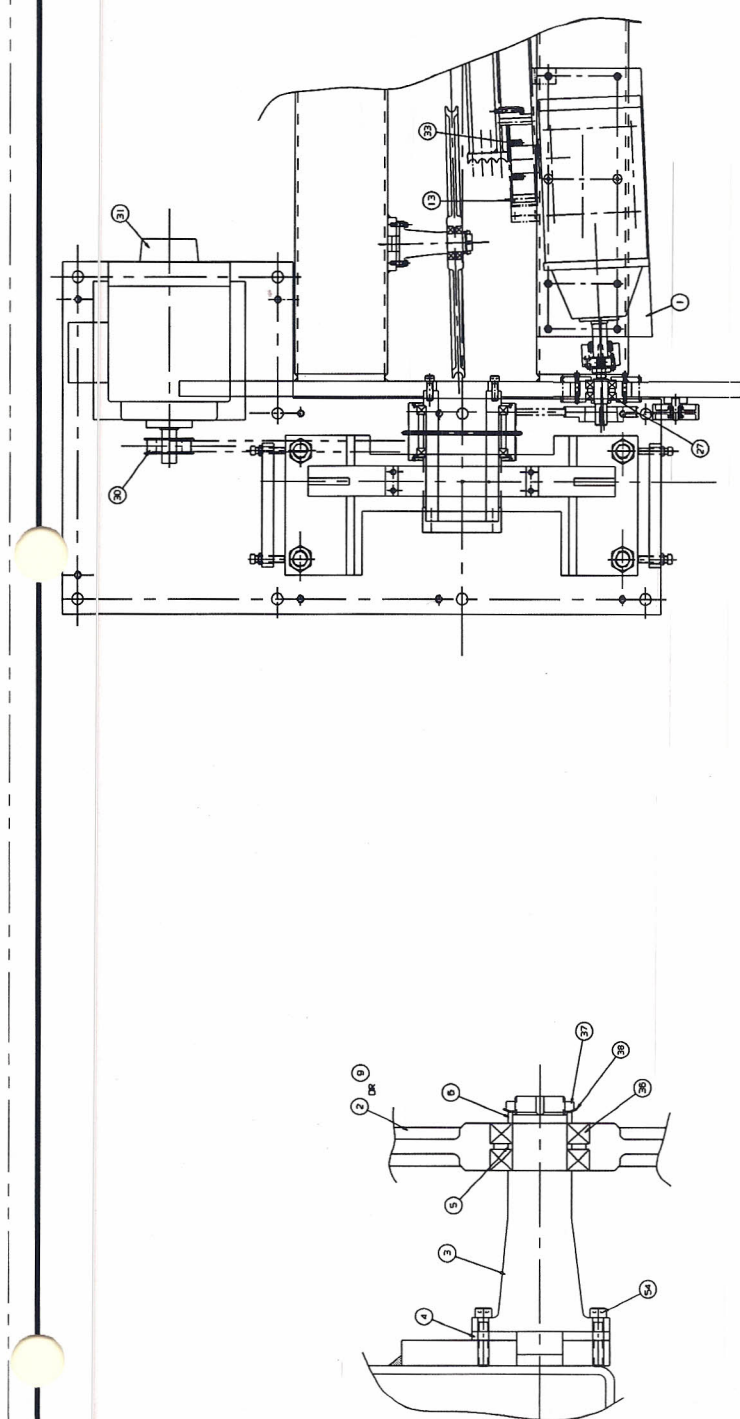


345-276-000-E 20 01/12  
 345-276-000-E 20 05/12  
 345-276-000-E 20 06/18  
 345-276-000-E  
 06/18 11.8  
**ROTEQ**  
 ROTOP SIDE PANEL ASS'Y  
 P. N. 06/18 11.8  
 345-276-000-E

11/6/18	11/6/18	11/6/18	11/6/18
11/6/18	11/6/18	11/6/18	11/6/18

ITEM	QTY	DESCRIPTION	DRG NO. & WEG. REF.
1	1	READER PIG. PLATE	401-015-001-D
2	1	GUIDE SHEAVE - 25 1/2 D.D.	-002-C
3	1	WASHER	-003-B
4	1	SPACER	-004-B
5	1	BRG. SPACER - 250	-005-B
6	1	BRG. SPACER - 500	-005-B
7	1	WASHER - 1/2" DIA. (OPPOSITE NOTATION) OF PART NO. 14	-006-C
8	1	WIP. GEAR END MODIFIED (OPPOSITE NOTATION) OF PART NO. 14	-006-C
9	1	GUIDE SHEAVE - 37 1/2 D.D.	-007-C
10			
11	1	BRG. STAND	401-000-001-E
12	1	STAND BASE PLATE	-002-E
13	1	25T GEAR	-002-B
14	1	80T DRIVE SPROCKET	-004-C
15	1	END RETAINER	-005-B
16	1	WIP. SUMP ENTRANCE	403-015-009-C
17	2	BRG. RETAINER	-011-B
18	1	SPLIT FLANGE	-013-B
19	1	BRG. SPACER - 2 3/16	-014-B
20	1	BRG. SPACER - 2 0/32	-014-B
21	1	BRG. SPACER - 4 8/10	-014-B
22	2	RETAINER RING	-016-B
23	4	LEVELING SLIVER	304-027-004-C
24	4	WIP. NUT	304-027-001-C
25			
26	1	GEAR END COUPLING ASSY	401-017-000-D
27			
28			
29			
30	1	37T THIN PULLEY WITH BUSHING 1.875 BORE	GATES # 140C-325-37
31	1	WIP. MOTOR	IMMATION FRAME 200T
32	1	WIP. BASE WIG.	DRYLY NUT # 206C-20
33	1	LOCKING ASSY	TOLLER # TL000-50 mm
34	2	BALL BRG. 240 x 200 x 28	SF 6 6188
35	1	SPHERICAL ROLLER BRG. 240 x 200 x 60	SF # 6212-201
36	2	BALL BRG.	SF # 6211
37	1	LOCK NUT 55 mm	SF # 6211
38	1	LOCK WASHER 55 mm	SF # 6211
39	1	THINNING BELT 37 mm WIDE	GATES # 140C-320-37
40	1	1/2" IPT BRASS FITTING	ALBERT # 1500-0L
41	8	WASHER	JORGES # 31010
42	2	1/2" IPT BRASS FITTING	SPRINGER # 02-810
43	2	1/2" IPT BRASS ELBOW MALE-FEMALE	
44			
45			
46	8	MS FL. HD. SCR.	18 mm LG.
47	10	M20 S.H.C. SCR.	85 mm LG.
48	9	M20 SD. HD. SET SCR.	125 mm LG.
49	9	M20 HEX. JAM NUT	
50	4	M20 TO M6 SET SCR. + HEX. JAM NUT	80 mm LG.
51	4	M20 HEX. BOLT	200 mm LG.
52	4	M20 HEX. BOLT	80 mm LG. + FL. W.
53	17	M12 S.H.C. SCR.	45 mm LG.
54	8	M12 S.H.C. SCR.	45 mm LG.
55	6	M16 S.H.C. SCR.	40 mm LG.
56	2	M16 FL. HD. SCREW	45 mm LG.
57			

ITEM NO	QTY	DESCRIPTION	DRG NO. & WEG. REF.
6.9	AS SHOWN	401-015-000-E	5
2.8	AS SHOWN	401-022-000-E	5
2.9	PROVIDE	401-015-000-E	5
6.9	AS SHOWN	401-015-000-E	5
17	AS SHOWN	401-015-000-E	5
18	AS SHOWN	401-015-000-E	5
19	AS SHOWN	401-015-000-E	5
20	AS SHOWN	401-015-000-E	5
21	AS SHOWN	401-015-000-E	5
22	AS SHOWN	401-015-000-E	5
23	AS SHOWN	401-015-000-E	5
24	AS SHOWN	401-015-000-E	5
25	AS SHOWN	401-015-000-E	5
26	AS SHOWN	401-015-000-E	5
27	AS SHOWN	401-015-000-E	5
28	AS SHOWN	401-015-000-E	5
29	AS SHOWN	401-015-000-E	5
30	AS SHOWN	401-015-000-E	5
31	AS SHOWN	401-015-000-E	5
32	AS SHOWN	401-015-000-E	5
33	AS SHOWN	401-015-000-E	5
34	AS SHOWN	401-015-000-E	5
35	AS SHOWN	401-015-000-E	5
36	AS SHOWN	401-015-000-E	5
37	AS SHOWN	401-015-000-E	5
38	AS SHOWN	401-015-000-E	5
39	AS SHOWN	401-015-000-E	5
40	AS SHOWN	401-015-000-E	5
41	AS SHOWN	401-015-000-E	5
42	AS SHOWN	401-015-000-E	5
43	AS SHOWN	401-015-000-E	5
44	AS SHOWN	401-015-000-E	5
45	AS SHOWN	401-015-000-E	5
46	AS SHOWN	401-015-000-E	5
47	AS SHOWN	401-015-000-E	5
48	AS SHOWN	401-015-000-E	5
49	AS SHOWN	401-015-000-E	5
50	AS SHOWN	401-015-000-E	5
51	AS SHOWN	401-015-000-E	5
52	AS SHOWN	401-015-000-E	5
53	AS SHOWN	401-015-000-E	5
54	AS SHOWN	401-015-000-E	5
55	AS SHOWN	401-015-000-E	5
56	AS SHOWN	401-015-000-E	5
57	AS SHOWN	401-015-000-E	5



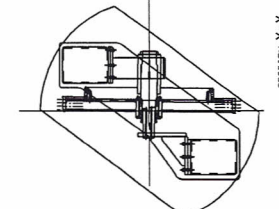
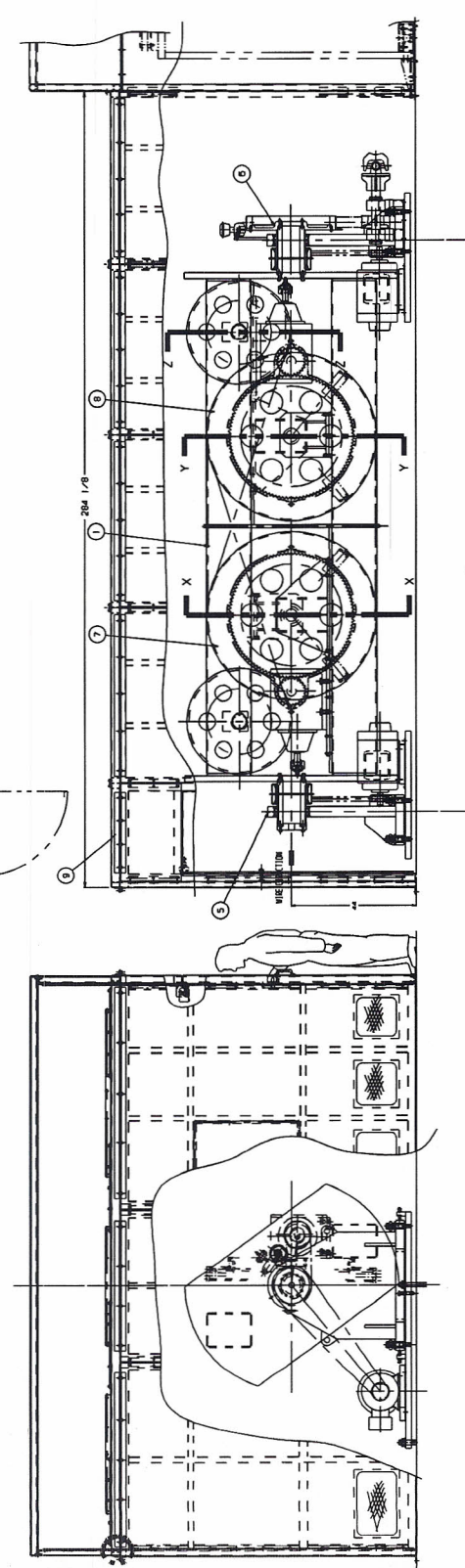
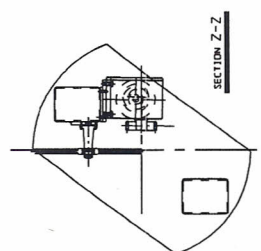
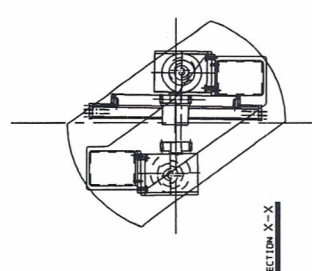
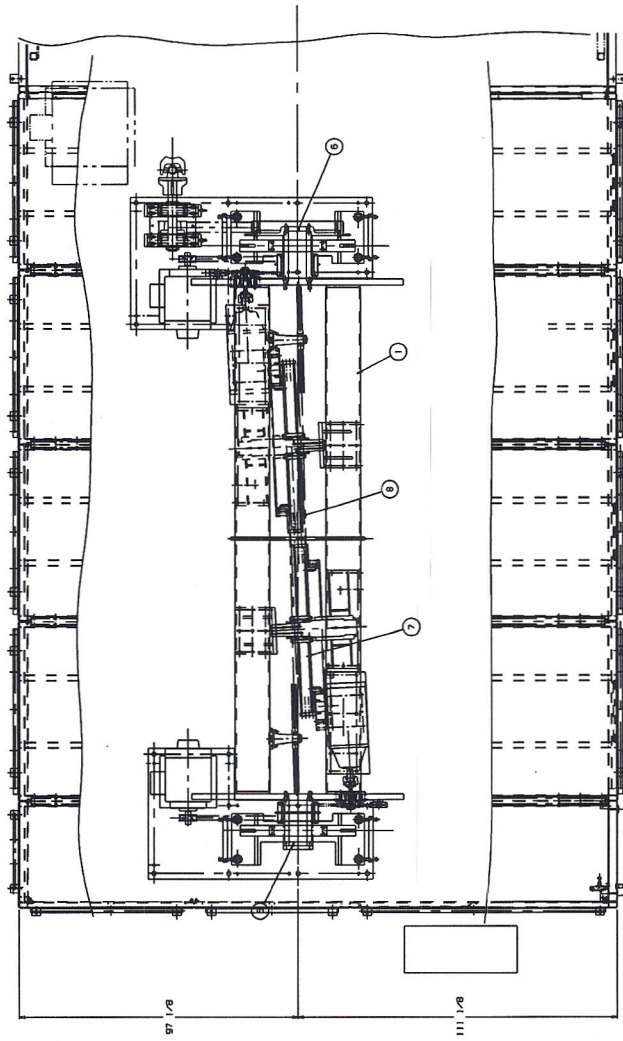
**ROTEC**  
 10000 W. 10th St., Suite 100  
 Houston, TX 77036  
 Phone: 281-410-1100  
 Fax: 281-410-1101  
 Email: sales@rotec.com  
 Website: www.rotec.com

401-016-000-E  
 2/5/18 ITEM 9 ADDED  
 1/2/15 DDP-ROTAL IDN ADDED  
 1/1/15





ITEM	QTY	DESCRIPTION	DWG NO. & FIG. REF.
1	1	ROTATING FRAME	401-022-001-E
2			
3			
4			
5	1	ENTRY BRG. STAND & DRIVE ASS'Y	401-016-002-E
6	1	EXIT BRG. STAND & DRIVE ASS'Y	-018-002-E
7	1	ENTRY CAPSTAN WHEEL ASS'Y	-023-002-E
8	1	EXIT CAPSTAN WHEEL ASS'Y	-024-002-E
9	1	ENCLOSURE ASS'Y	-025-002-E
10			



LEFT TO RIGHT  
"A" POINT

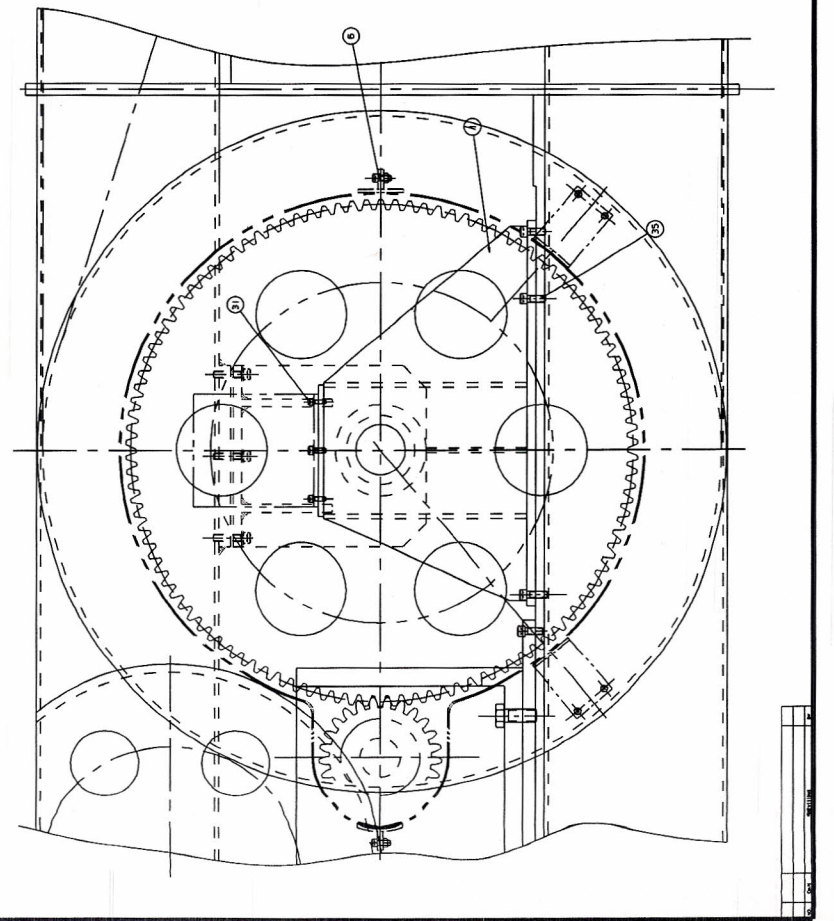
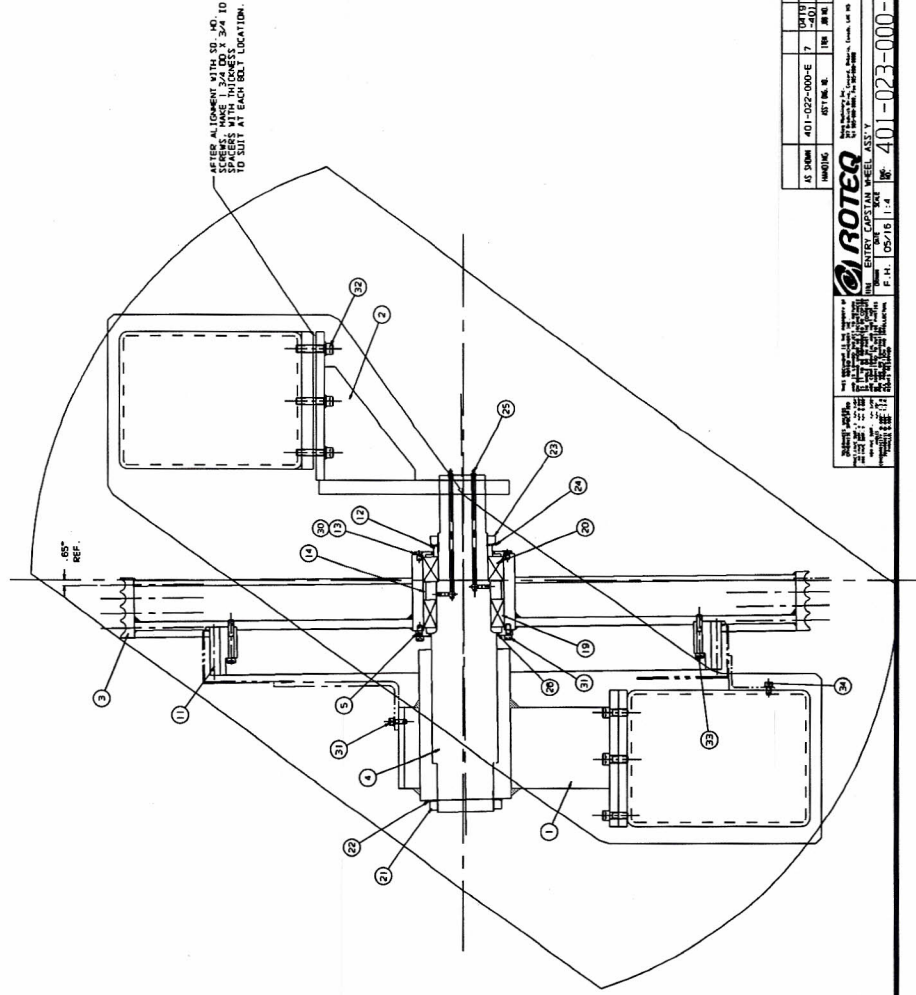
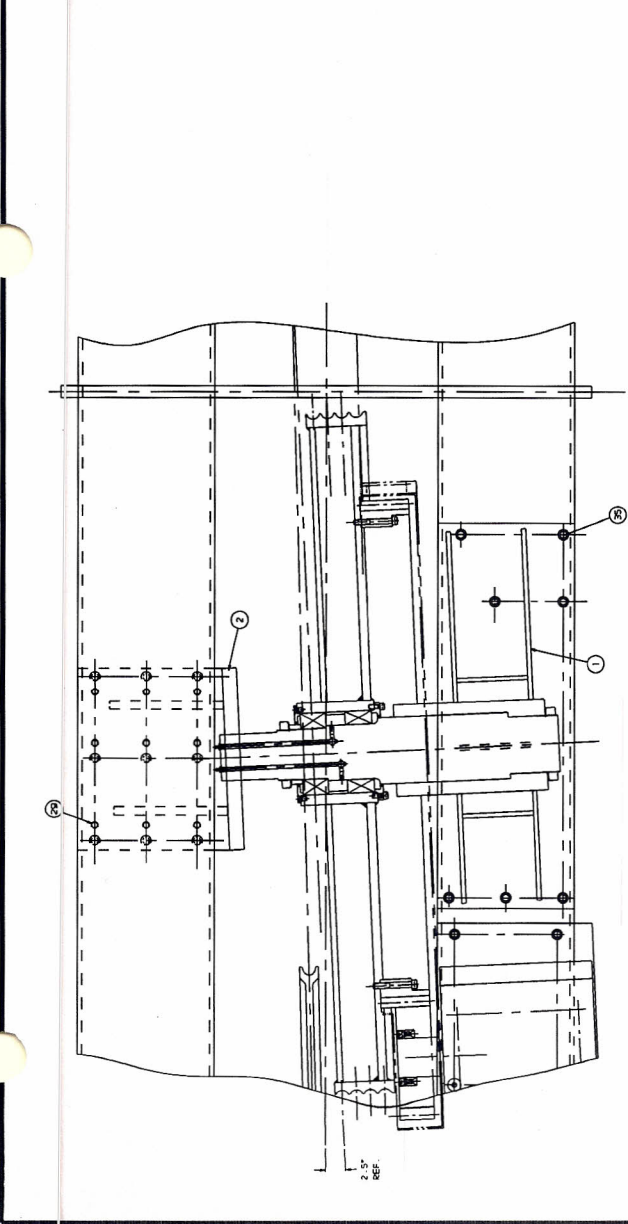
345-205-000-E 2 UNIT  
REV. 1  
REV. 1

345-205-000-E 2 UNIT  
REV. 1  
REV. 1

401-022-000-E

**ROTEC**  
ROTEC CORPORATION  
1000 W. 10th St., Suite 100  
Tulsa, Oklahoma 74106  
Tel: (918) 436-1111  
Fax: (918) 436-1112

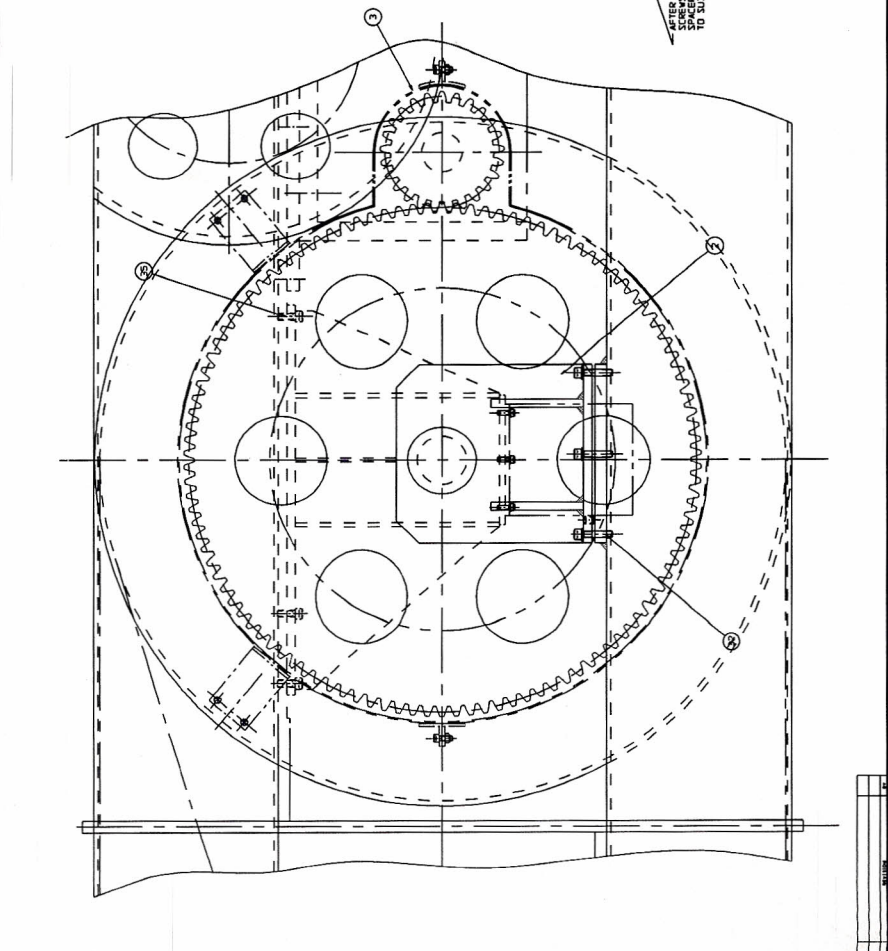
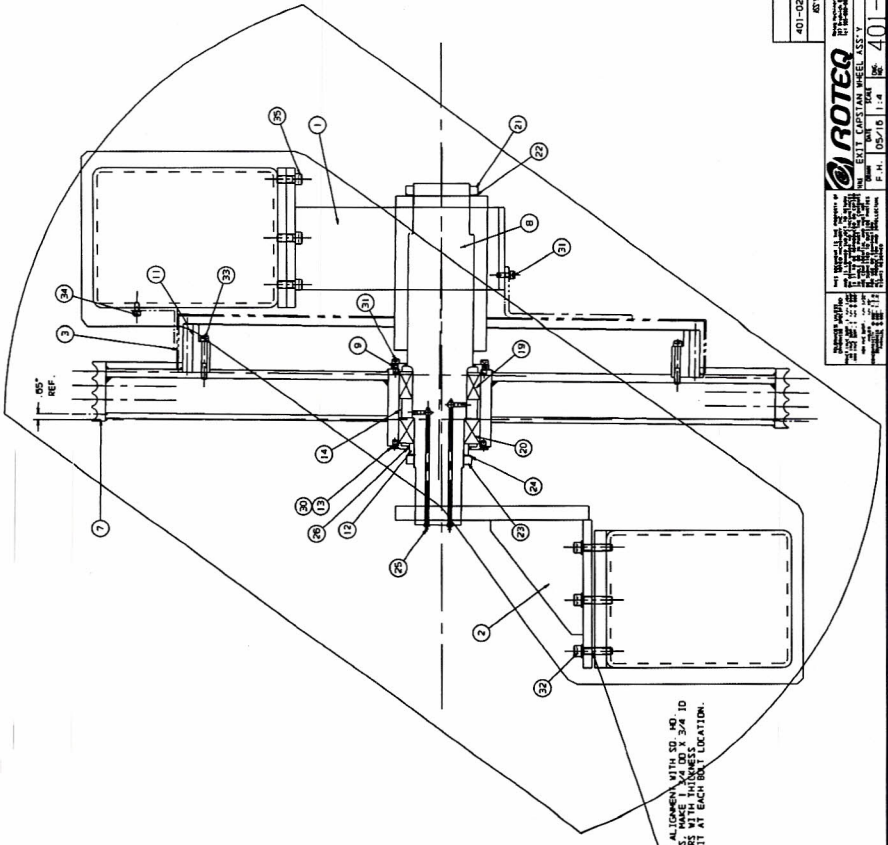
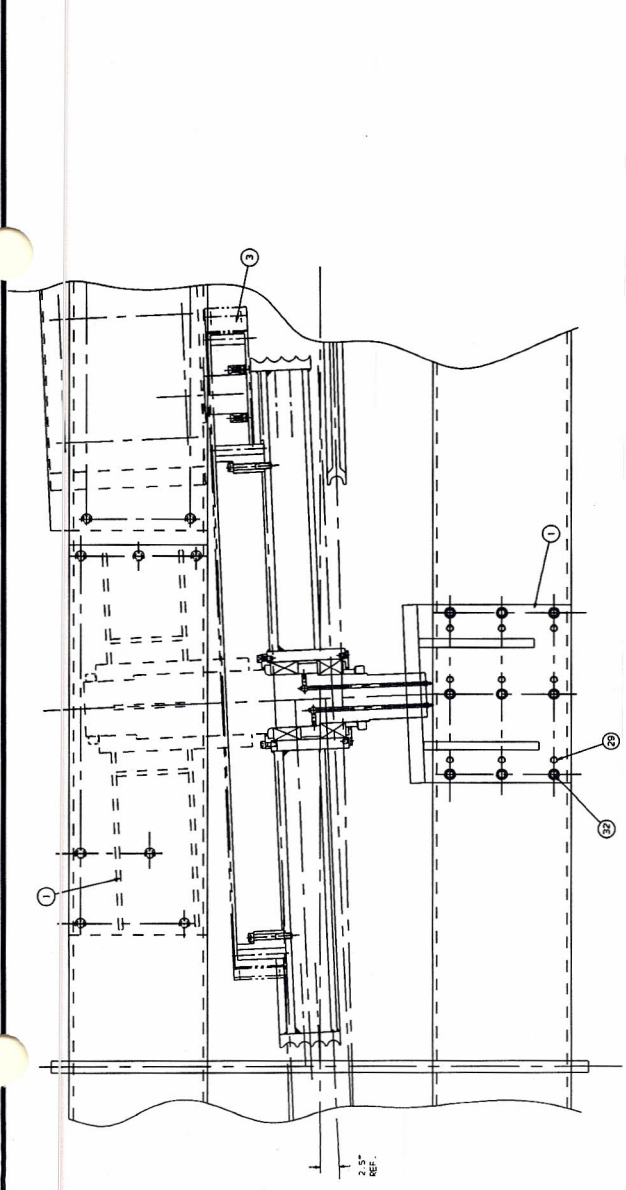
ITEM QTY	DESCRIPTION	DWG NO. & WGS. REF.	ITEM QTY	DESCRIPTION	DWG NO. & WGS. REF.
27			1	WHEEL MFG. BRACKET	401-019-001-0
28			2	WHEEL MFG. SUPPORT	-000-0
29			3	CAPSTAN WHEEL	401-023-001-0
30	M16 X 80	M16 X 80	4	MAIN SHAFT	401-019-004-0
31	M16 S.D. HEAD SCREW & JAM NUT	20 m.L.G.	5	BRG. RETAINER	-005-B
32	M16 S.H.C. SCR.	20 m.L.G. - L.L.M.	6	GEAR COVER	-006-E
33	M16 S.H.C. SCR.	20 m.L.G. - L.L.M.	7		
34	M16 S.H.C. SCR.	20 m.L.G. - L.L.M.	8		
35	M16 S.H.C. SCR.	20 m.L.G. - L.L.M.	9		
36	M16 S.H.C. SCR.	20 m.L.G. - L.L.M.	10		
11			11	110T SPURGE GEAR	401-011-002-C
12			12	BRG. SPACER	-005-B
13			13	BRG. RET. FLANGE	345-041-013-B
14			14	OUTER RACE BRG. SPACER - 1.683	345-041-041-B
15			15		
16			16		
17			17		
18			18	SPN. ROLLER 120X180X40	345 F 20402C/033
19			19	SPN. ROLLER 110X180X35	345 F 21022/033
20			20	LOCK NUT	345 F 1005
21			21	LOCK WASHER	345 F 1005
22			22	LOCK NUT	345 F 1002
23			23	LOCK WASHER	345 F 1002
24			24	1/8" MPT GREASE FITTING	ALLENITE # 1100-B
25			25	1/8" X 1/4" FELT MATERIAL	171/2" LG.



ROTEC  
 ENTRY CAPSTAN WHEEL ASSY  
 P. N. 05/16 14  
 401-023-000-E

REV	DATE	BY	CHKD
1			
2			
3			
4			
5			
6			
7			
8			
9			
10			
11			
12			
13			
14			
15			
16			
17			
18			
19			
20			
21			
22			
23			
24			
25			

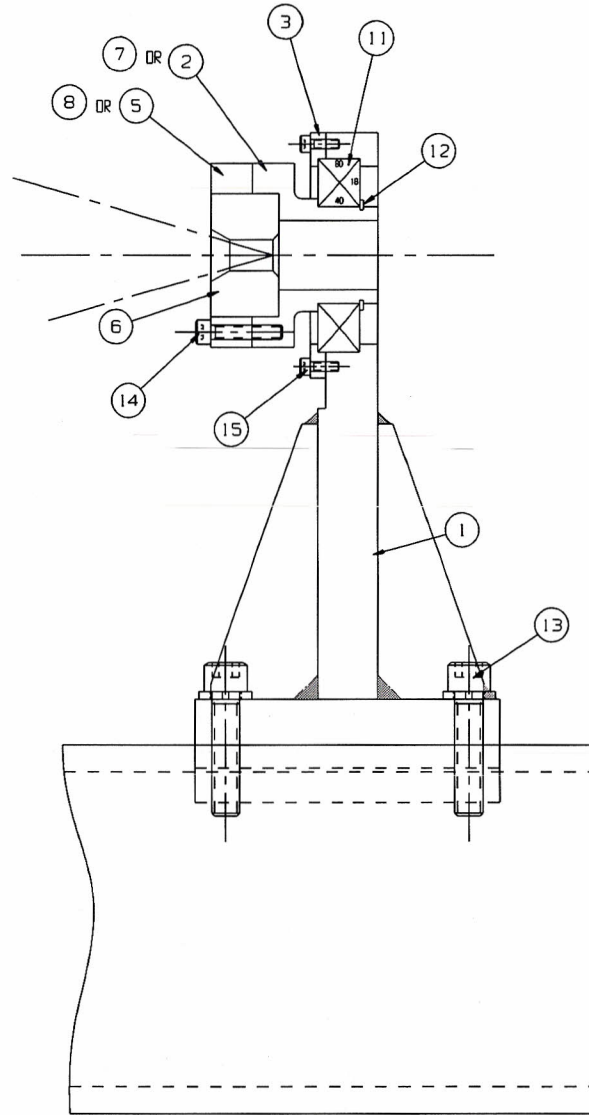
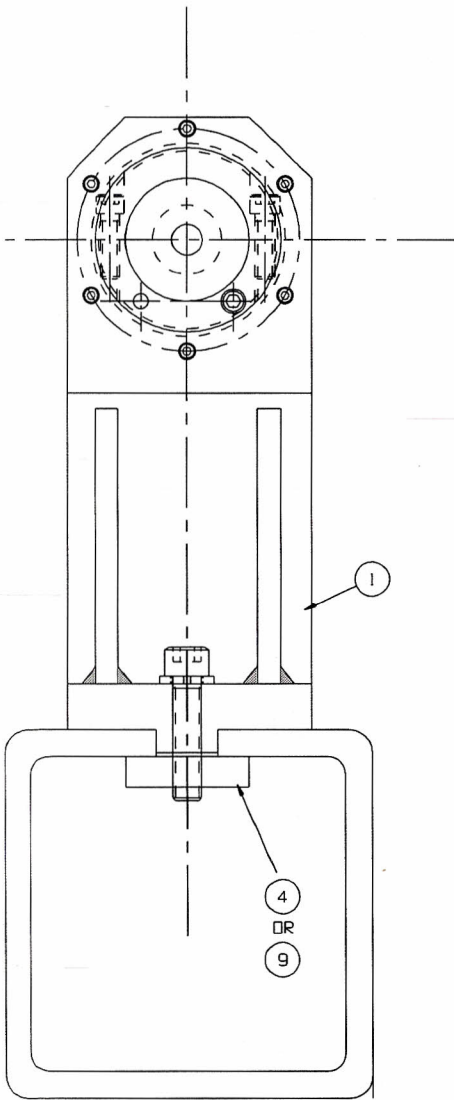
ITEM QTY	DESCRIPTION	DWG NO. & FIG. REF.	ITEM QTY	DESCRIPTION	DWG NO. & FIG. REF.
27			1	WHEEL MTS. BRACKET	401-022-001-0
28			2	WHEEL MTS. SUPPORT	-002-0
29			3	GEAR COVER	-003-E
30	MHS T. RW.	20 m. LG.	4		
31	MHS S.H.C. SER.	20 m. LG. + L.W.	5		
32	MHS S.H.C. SER.	20 m. LG. + L.W.	6		
33	MHS S.H.C. SER.	20 m. LG. + L.W.	7	CAPSTAN WHEEL	401-023-001-0
34	MHS S.H.C. SER.	20 m. LG. + L.W.	8	MHS SHIPT	401-023-004-0
35	MHS S.H.C. SER.	20 m. LG. + L.W.	9	BKG. RETAINER	-005-B
			10		
			11	110 SPARE GEAR	401-011-002-C
			12	BKG. SPACER	-005-B
			13	BKG. RET. FLANGE	345-041-018-B
			14	OUTER RACE BKG. SPACER - 1.893	345-041-041-B
			15		
			16		
			17		
			18		
			19	SPN. ROLLER 120x100x60	SWP # 24024C/933
			20	SPN. ROLLER 110x100x56	SWP # 23122/933
			21	LOCK NUT	SWP # P005
			22	LOCK WASHER	SWP # P005
			23	LOCK NUT	SWP # P002
			24	LOCK WASHER	SWP # P002
			25	1/8" WT. GREASE FITTING	ALLENITE # 1610-RL
			26	1/8" x 1/4" FELT MATERIAL	17 1/2" L.G.



**ROTEC**  
 THE ROYAL CANADIAN MOUNTED POLICE  
 401-022-000-E B UNIT 1  
 657166 6 106 106 106  
 401-024-000-E







ITEM	QTY	DESCRIPTION	DWG. NO. & MFG. REF.
1	1	BRG. MTG. BRACKET	530-120-001-C
2	1	DIE MTG. SLEEVE	-002-B
3	1	BRG. RETAINER	-003-B
4	1	CLAMP BAR	-004-B
5	1	COLLAR-MODIFY (P)	-005-B
6	1	COSING DIE	BY CUSTOMER
7	1	DIE MTG SLEEVE - 3"	530-173-001-B
8	1	COLLAR (3")-MODIFY (P)	530-173-002-B
9	1	CLAMP BAR - WIDE	530-120-006-B
10			
11	1	BALL BRG. 40x80x18	SKF # 6208-2RS1
12	1	RET. RING	TRUARC # 5100-156
13	2	M12 S.H.C. SCR.	50 mm LG. + L.W.
14	1	M6 S.H.C. SCR.	30 mm LG.
15	6	M4 S.H.C. SCR.	12 mm LG.
16			
17			

2, 4, 5	530-216-000-E	13	0420-530	2	
	530-203-000-E	6	0419-530	4	
7, 8, 9	530-115-000-E	12	0408-530	3	
	530-203-000-E	6	0398-530	8	
7, 8, 9	530-193-000-E	23	0377-530	4	
		23	0358-530	4	
	530-137-000-E	23	0357-530	4	
	530-115-000-E	12	0296-530	4	
	530-115-000-E	12	0275-530	5	
ITEMS NOT REQUIRED		ASS'Y DWG. NO.	ITEM	JOB NO.	QTY.

NO.	DATE	REVISIONS	BY
2	04/13	ITEMS 7, 8, 9 ADDED	PW
1	07/08	ITEM 1 MODIFIED	F.H.

TOLERANCES UNLESS OTHERWISE SPECIFIED  
 FRACT (M/C SURF.) +/- 1/64"  
 XX (M/C SURF.) +/- 0.010"  
 XXX (M/C SURF.) +/- 0.005"  
 NON M/C SURF. +/- 1/32"  
 ANGLES +/- 15"  
 CONCENTRICITY 0.002" TIR  
 SQUARENESS 0.002" TIR  
 PARALLEL 0.002"

THIS DOCUMENT IS THE PROPERTY OF ROTEQ MACHINERY INC. AND IS LOANED SUBJECT TO RETURN ON DEMAND UNDER NO CIRCUMSTANCES IS IT TO BE REPRODUCED OR COPIED IN WHOLE OR IN PART. THE CONTENTS ARE CONFIDENTIAL AND MUST NOT BE SUBMITTED TO OUTSIDE PARTIES FOR USE OR EXAMINATION. ALL PRODUCTION AND INTELLECTUAL RIGHTS RESERVED.

**ROTEQ**

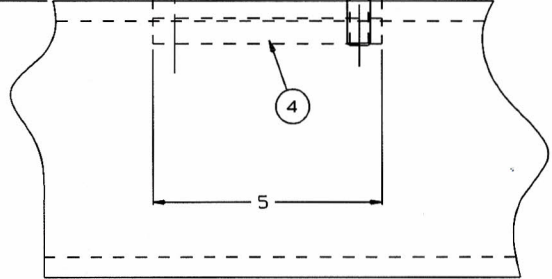
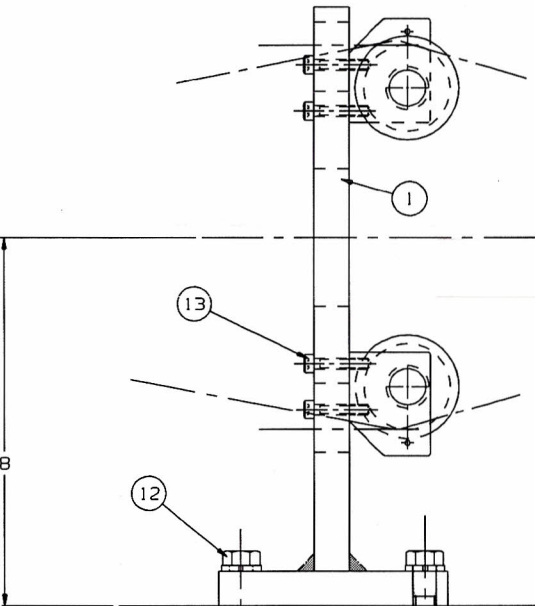
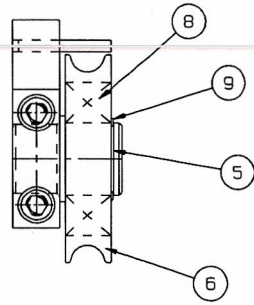
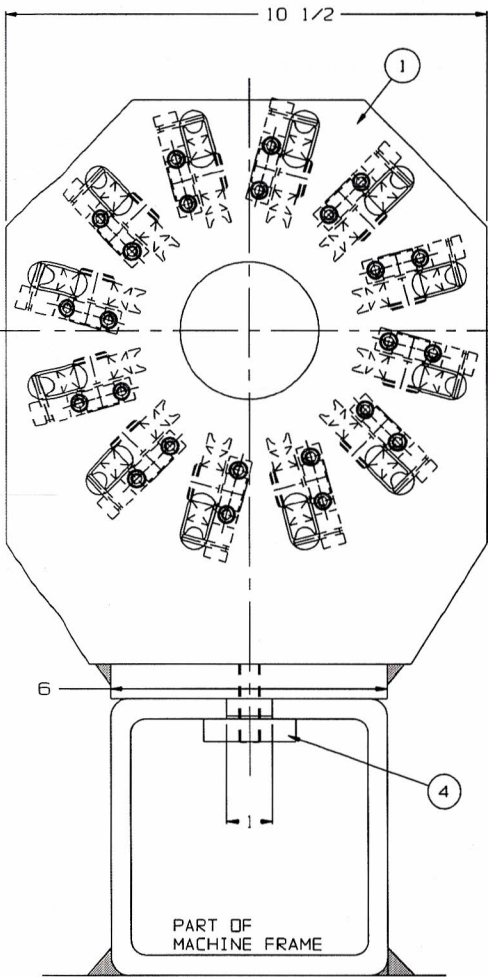
Roteq Machinery Inc.  
 317 Bradwick Drive, Concord, Ontario, Canada, L4K 1K5  
 Tel 905-660-8800, Fax 905-660-8898

TITLE CLOSING DIE ASS'Y  
 DRAWN F.H. DATE 08/05 SCALE 1:1.5 DWG. NO. 530-120-000-C









ITEM	QTY	DESCRIPTION	DWG. & MFG. REF.
1	1	LAY PLATE - 17 WIRE	530-204-001-C
	1	LAY PLATE - 19 WIRE	-002-C
	1	LAY PLATE - 22 WIRE	-003-C
	1	LAY PLATE - 3 DR 6 WIRE	530-121-001-C
	1	LAY PLATE - 12 WIRE	530-122-001-C
	1	LAY PLATE - 18 WIRE	530-123-001-C
	1	LAY PLATE - 7 WIRE	530-131-001-C
	1	LAY PLATE - 16 WIRE	530-137-002-C
	1	LAY PLATE - 14 WIRE	530-137-003-C
	1	LAY PLATE - 11 WIRE	530-139-001-C
	1	LAY PLATE - 20 WIRE	530-141-001-C
	1	LAY PLATE - 13 WIRE	530-195-001-C
	1	LAY PLATE - 10 WIRE	530-195-002-C
	1	LAY PLATE - 4 DR 8 WIRE	530-195-003-C
	1	LAY PLATE - 9 WIRE	530-197-001-C
2			
3			
4	4	CLAMP BAR	530-120-004-B
5	202	SHAFT (P)	530-174-001-B
6	202	ROLLER	530-022-009-B
7			
8	202	BALL BRG. 20x42x12	SKF # 6004-2RS1
9	202	RET. RING	TRUARC # 5100-78
10			
11			
12	8	HEX HEAD C/S AND LOCK W.	M12 X 45
13	404	M6 S.H.C. SCR.	30 mm LG.

PART OF MACHINE FRAME

PART OF MACHINE FRAME

ASS'Y DWG. NO.	ITEM	JOB NO.	QTY.
530-203-000-E	9	0419-530	1
530-203-000-E	9	0398-530	2

NO.	DATE	REVISIONS	BY

TOLERANCES UNLESS OTHERWISE SPECIFIED  
 FRACT (F/C SURF.) ± 1/64"  
 .XX (F/C SURF.) ± 0.010"  
 .XXX (F/C SURF.) ± 0.005"  
 NON F/C SURF. ± 1/32"  
 ANGLES ± 1°  
 CONCENTRICITY 0.002" T.I.R.  
 SQUARENESS 0.002" T.I.R.  
 PARALLEL 0.002"

THIS DOCUMENT IS THE PROPERTY OF ROTEQ MACHINERY INC. AND IS LOANED SUBJECT TO RETURN ON DEMAND UNDER NO CIRCUMSTANCES IS IT TO BE REPRODUCED OR COPIED IN WHOLE OR IN PART. THE CONTENTS ARE CONFIDENTIAL AND MUST NOT BE SUBMITTED TO OUTSIDE PARTIES FOR USE OR EXAMINATION. ALL PRODUCTION AND INTELLECTUAL RIGHTS RESERVED.

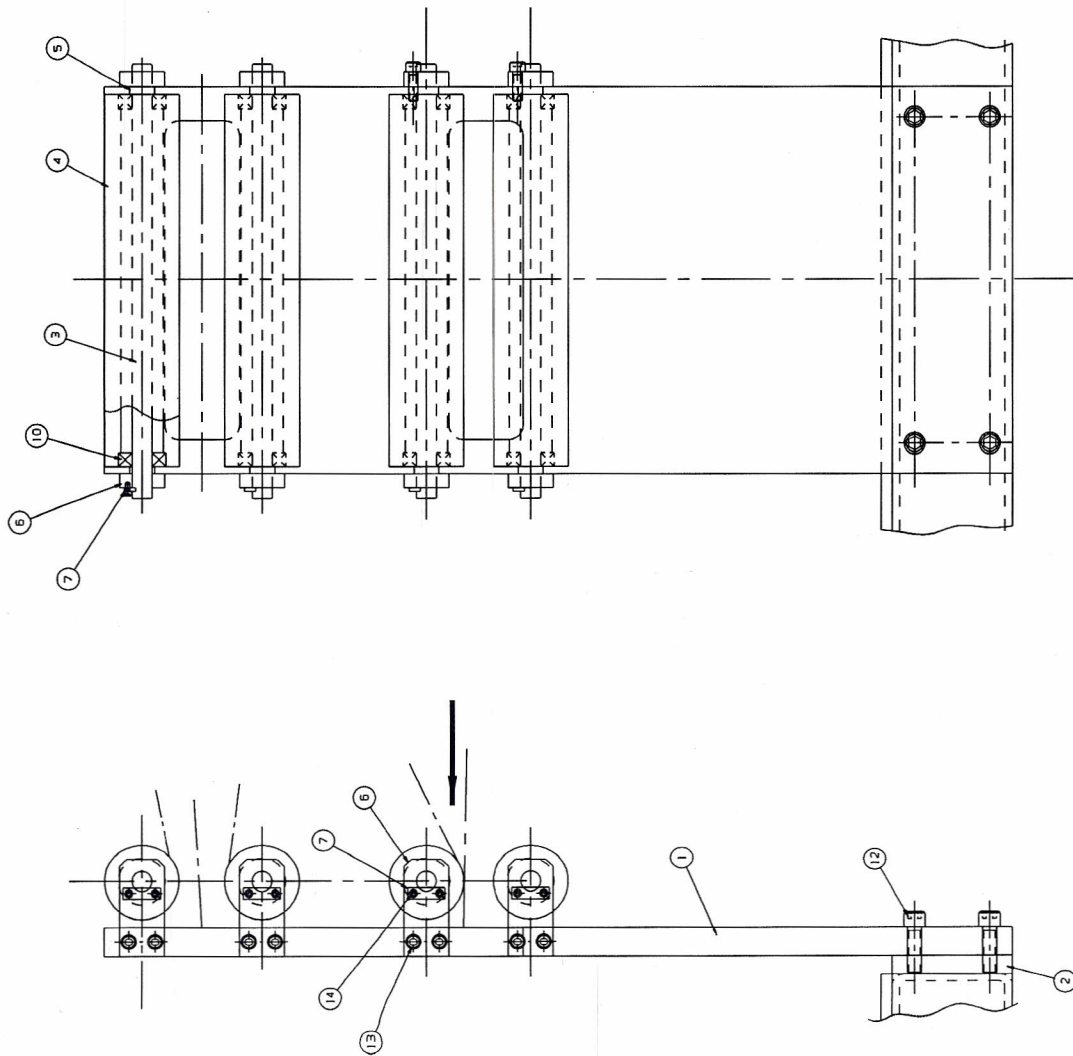


Roteq Machinery Inc.  
 317 Bradwick Drive, Concord, Ontario, Canada, L4K 1K5  
 Tel 905-660-8800, Fax 905-660-8898


TITLE LAY PLATES : 4 STATIONS			
DRAWN	DATE	SCALE	DWG. NO.
F.H.	11/14	1:2	530-204-000-C



ITEM	QTY	DESCRIPTION	DWG NO. & FIG. REF.
1	1	MIG. PLATE	530-207-001-C
2	1	BACK UP BAR	-002-B
3	4	ROLLER SHAFT	-003-B
4	4	ROLLER	-004-B
5	8	SPACER	-005-B
6	8	ROLLER SUPPORT	-006-B
7	4	RETAINER BAR	-007-B
8			
9			
10	8	BALL BCG. 17 x 40 x 12	SNF # 6203-2831
11			
12	4	M12 S.H.C. SCR.	40 mm LG.
13	16	M8 S.H.C. SCR.	25 mm LG.
14	8	M4 S.H.C. SCR.	8 mm LG.
15			



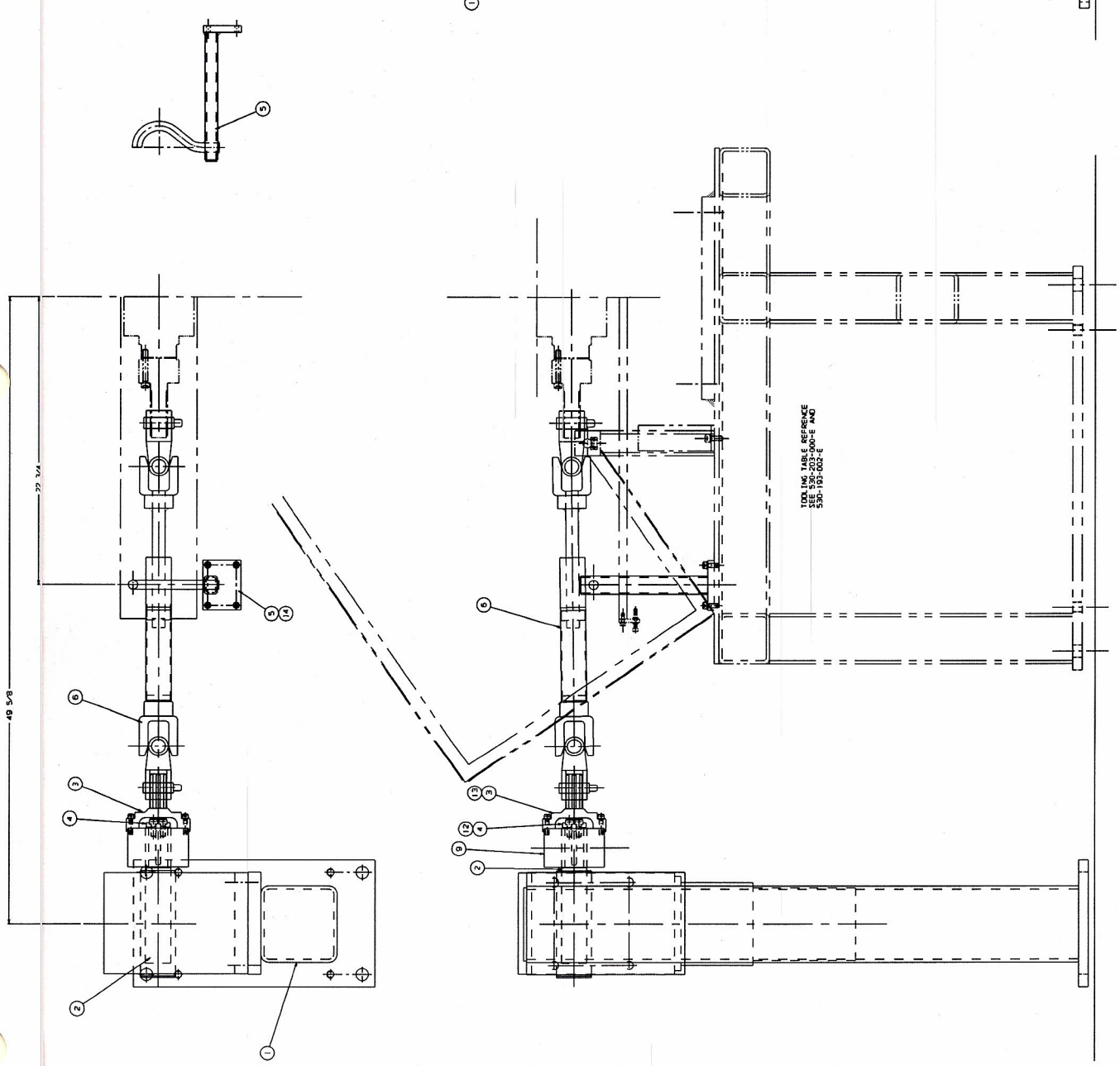
530-203-000-E	11	0381	1
530-203-000-E	11	0388	2
AST DWG. NO.	ITER	JOB NO.	DTL.


**ROTER**  
 ROLLER ENTRY GUIDE ROLLERS ASSY  
 F. H. 11/14 1:2  
 530-207-000-D  
 Roter Machine, Inc. Corp. 4000 S. 10th St. Lincoln, NE 68502  
 Tel: 402-478-1111 Fax: 402-478-1112  
 E-mail: sales@roter.com Website: www.roter.com  
 © 2004 Roter Machine, Inc. All Rights Reserved.

1	7/15	ADDITIONAL ROLLER ADDED	PW
2	8/15		PL



ITEM	QTY	DESCRIPTION	DWG. NO. & REF. REF.
1	1	GEAR MOTOR POST	530-219-001-0
2	1	GEAR MOTOR SHAFT	-002-B
3	1	SPACED ADAPTER	-002-B
4	1	END CAP	-004-B
5	1	U-SHIFT SUPPORT	-004-C
6	1	U-SHIFT	530-118-014-C
7	1	GEAR MOTOR 480/240	1/2 HP
8	1	FRONT WHEEL CLUTCH	SEE 118-014 FOR PARTS LIST PARTS LIST FOR THIS UNIT IS IN DRAWING 530-118-014 FOR U.S. EXPORT ONLY
9	1	FRONT WHEEL CLUTCH	
10	1	HEAT HEAD SCREW	M10 X 50
11	4	HEAT HEAD SCREW	M10 X 25
12	2	SDC HEAD CAPSCREW	5/16-24 HF X 1 1/4
13	6	SDC HEAD SCREW AND LOCK W.	M8 X 25
14	4	SDC HEAD SCREW AND LOCK W.	M8 X 25



345-200-000-E	3	QTY
530-219-000-E	1	REV

DATE: 11/13/83

BY: [Signature]

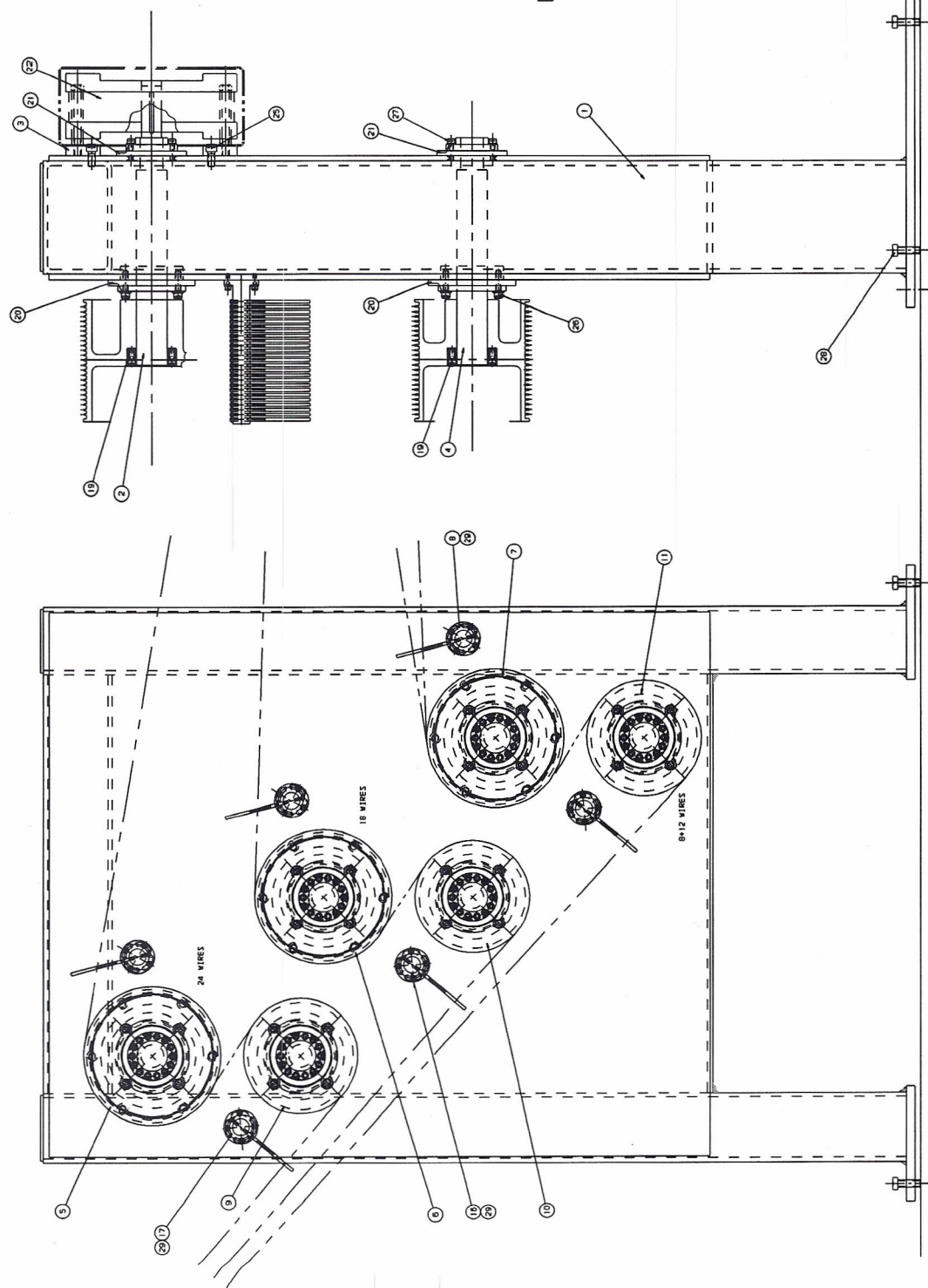
FOR THE DIRECTOR, ARMY RESEARCH AND DEVELOPMENT CENTER, WRIGHT-PATTERSON AIR FORCE BASE, OHIO 45433-3399

**ROTER** SYSTEMS OF ASSISTANCE

530-219-000-E

1	B7E	1/2 HP INDICATED
2	B7E	1/2 HP INDICATED

ITEM	QTY	DESCRIPTION	ENG. NO. & FIG. REF.
1	1	MAIN FRAME	560-005-001-E
2	3	BRACE SHANK	560-005-002-B
3	3	BRACE WIG. PLATE	560-005-003-C
4	3	TILER SHANK	560-005-004-B
5	1	24 WIRE TENSIONER WHEEL	560-005-005-D
6	1	18 WIRE TENSIONER WHEEL	560-005-006-D
7	1	8+12 WIRE TENSIONER WHEEL	560-005-007-D
8	2	20 WIRE GUIDE	560-005-008-C
9	1	24 WIRE TILER DAMP	560-005-009-D
10	1	18 WIRE TILER DAMP	560-005-010-D
11	1	8+12 WIRE TILER DAMP	560-005-011-D
12	-	-	-
13	-	-	-
14	-	-	-
15	2	18 WIRE GUIDE	530-100-008-C
16	2	24 WIRE GUIDE	530-100-009-C
17	2	24 WIRE GUIDE	530-100-009-C
18	6	LOCKING BEARING-TOLLER*	TLC 200 - 2 1/16" - 3/4"
19	6	FLANGE CARTRIDGE UNIT	SEALMASTER # SFC-308
20	3	18 WIRE TENSIONER WHEEL	560-005-005-D
21	3	18 WIRE TENSIONER WHEEL	560-005-006-D
22	3	8+12 WIRE TENSIONER WHEEL	560-005-007-D
23	-	-	-
24	-	-	-
25	18	1/8" S.H.C. SCR.	50 mm LG.
26	24	1/12" S.H.C. SCR.	50 mm LG. + FL. H.
27	24	1/16" S.H.C. SCR.	40 mm LG. + FL. H.
28	4	1/8" SH. HD. SET SCREW	50 mm LG.
29	24	1/8" S.H.C. SCR.	30 mm LG. + FL. H. + LOCK W.
30	3	SLEEVE VALVE	ARO #000-2
31	3	REGULATOR-GAUGE/BRKT	ARO #02721-700100000/104172
32	3	REGULATOR-GAUGE/BRKT	ARO #02721-700100000/104172



AS SHOWN	345-205-000-E	4	1-5420
OPPOSITE	345-221-000-E	4	1-0398
AS SHOWN	AS SHOWN	AS SHOWN	AS SHOWN
HANDLING		871166.0	100

**ROTEC**  
 ROTEC CORPORATION  
 10000 W. 10TH AVENUE  
 DENVER, CO 80231  
 EV 07/14 1:3:5  
 560-005-000-E

**SINGLE TWIST STRANDING LINE**

## **Electrical Drawings**

*Note: See CD for Electrical Drawings*